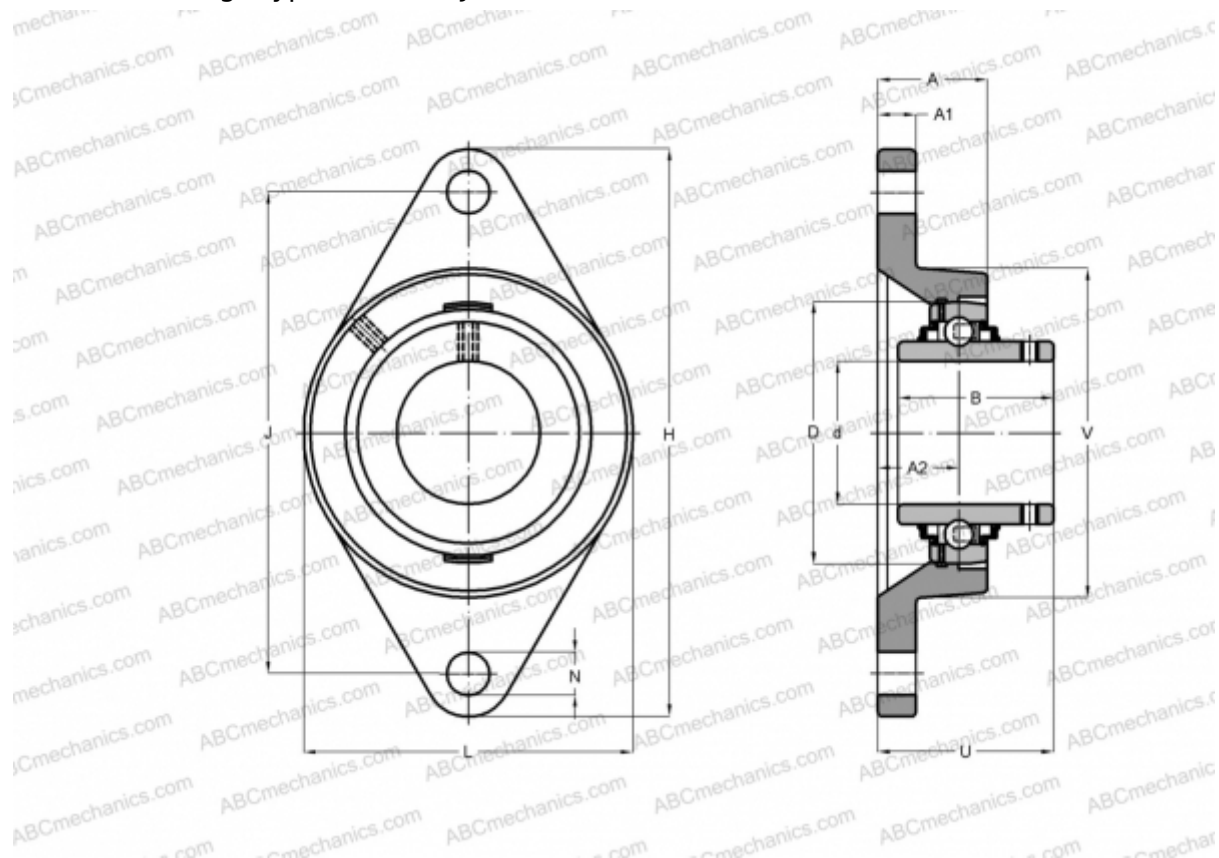


FYTJ 30 TF SKF

Ball bearing units

TYPE: Housing units, Two-bolt flanged housing units, Cast iron housing, Radial insert ball bearing with grub screws in inner ring, Type FYTB/FYTJ..TF (SKF)



Technical specification

DIMENSIONS, MM

d	30,000
D	62,000
B	38,100
L	80,000
H	148,000
A	30,500
J	117,000
A1	13,500
A2	18,000
N	16,000
U	40,200
V	76,200

WEIGHT, KG 0,930

Bearing	YAR 206-2F
Housing	FYTJ 506

MANUFACTURER

[SKF](#)

CALCULATION DATA

Basic dynamic load rating, C	19,500 kN
Basic static load rating, Co	11,200 kN
Fatigue load limit, Pu	0,475 kN
Limiting speed	6300 r/min