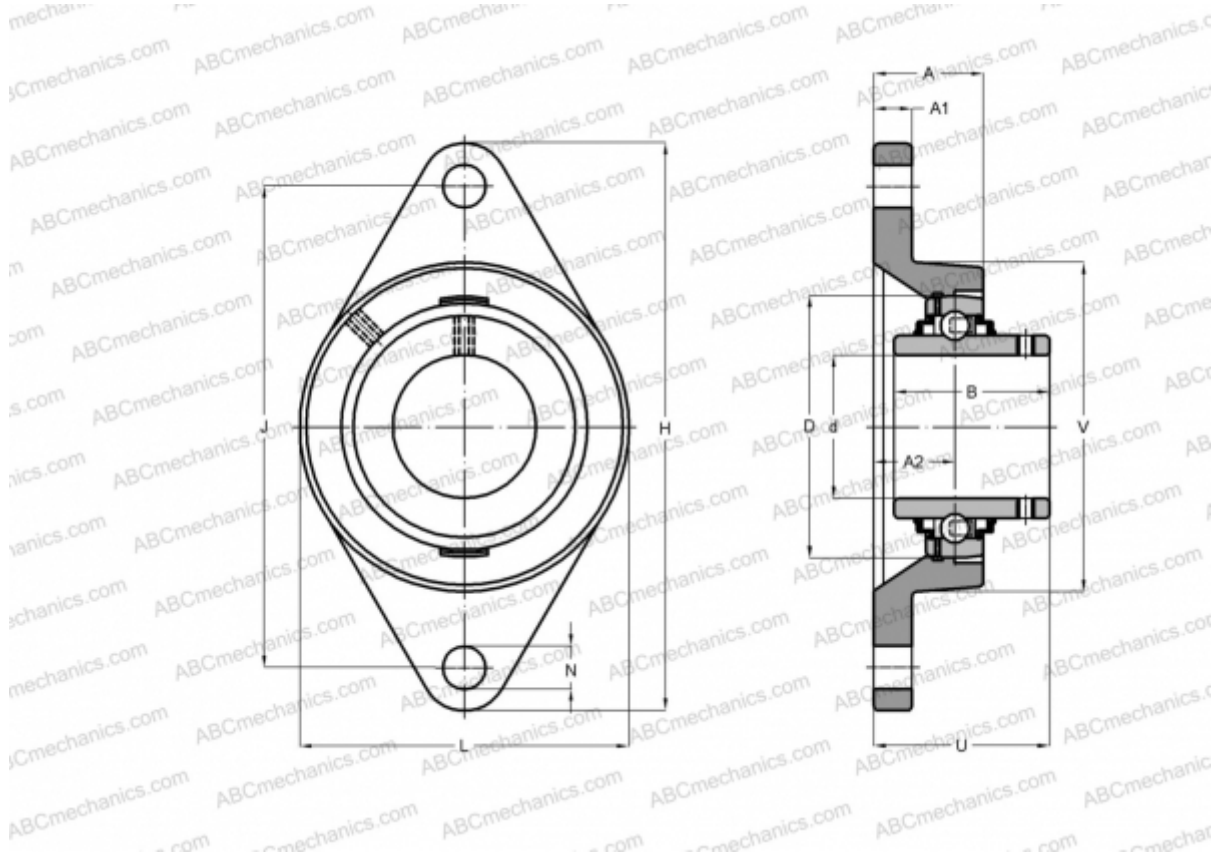


## FYTB 45 TF SKF

Ball bearing units

TYPE: Housing units, Two-bolt flanged housing units, Cast iron housing, Radial insert ball bearing with grub screws in inner ring, Type FYTB/FYTJ..TF (SKF)



### Technical specification

#### DIMENSIONS, MM

d	45,000
D	85,000
B	49,200
L	111,000
H	178,500
A	39,000
J	148,500
A1	14,000
A2	24,000
N	16,000
U	54,200
V	98,400

**WEIGHT, KG** 1,800

Bearing	YAR 209-2F
Housing	FYTB 509 M
Protective cover	ECY 209

#### MANUFACTURER

[SKF](#)

#### CALCULATION DATA

Basic dynamic load rating, C	33,200 kN
Basic static load rating, Co	21,600 kN
Fatigue load limit, Pu	0,915 kN
Limiting speed	4300 r/min