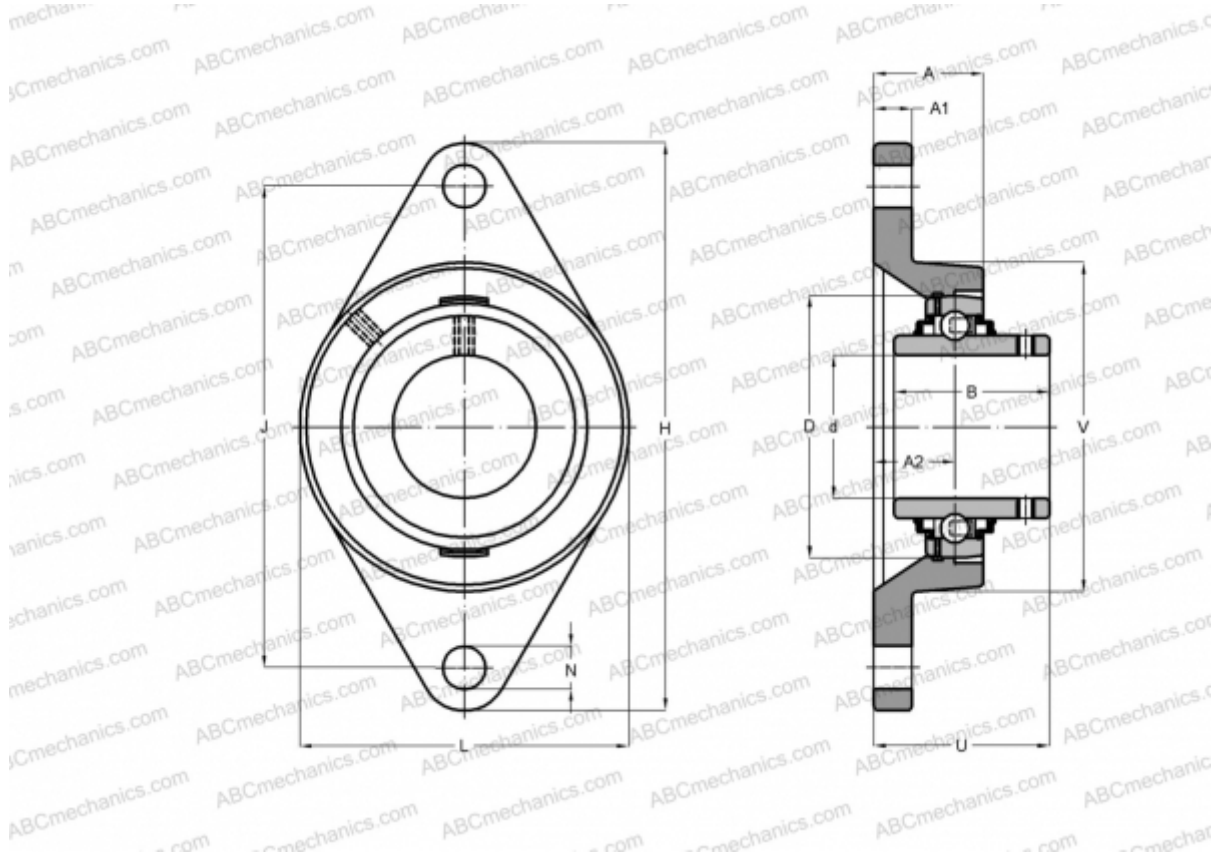


FYTB 50 TF SKF

Ball bearing units

TYPE: Housing units, Two-bolt flanged housing units, Cast iron housing, Radial insert ball bearing with grub screws in inner ring, Type FYTB/FYTJ..TF (SKF)



Technical specification

DIMENSIONS, MM

d	50,000
D	90,000
B	51,600
L	116,000
H	189,000
A	43,000
J	157,000
A1	15,000
A2	28,000
N	18,000
U	60,600
V	101,600

WEIGHT, KG 2,150

Bearing	YAR 210-2F
Housing	FYTB 510 M
Protective cover	ECY 210

MANUFACTURER

[SKF](#)

CALCULATION DATA

Basic dynamic load rating, C	35,100 kN
Basic static load rating, Co	23,200 kN
Fatigue load limit, Pu	0,980 kN
Limiting speed	4000 r/min