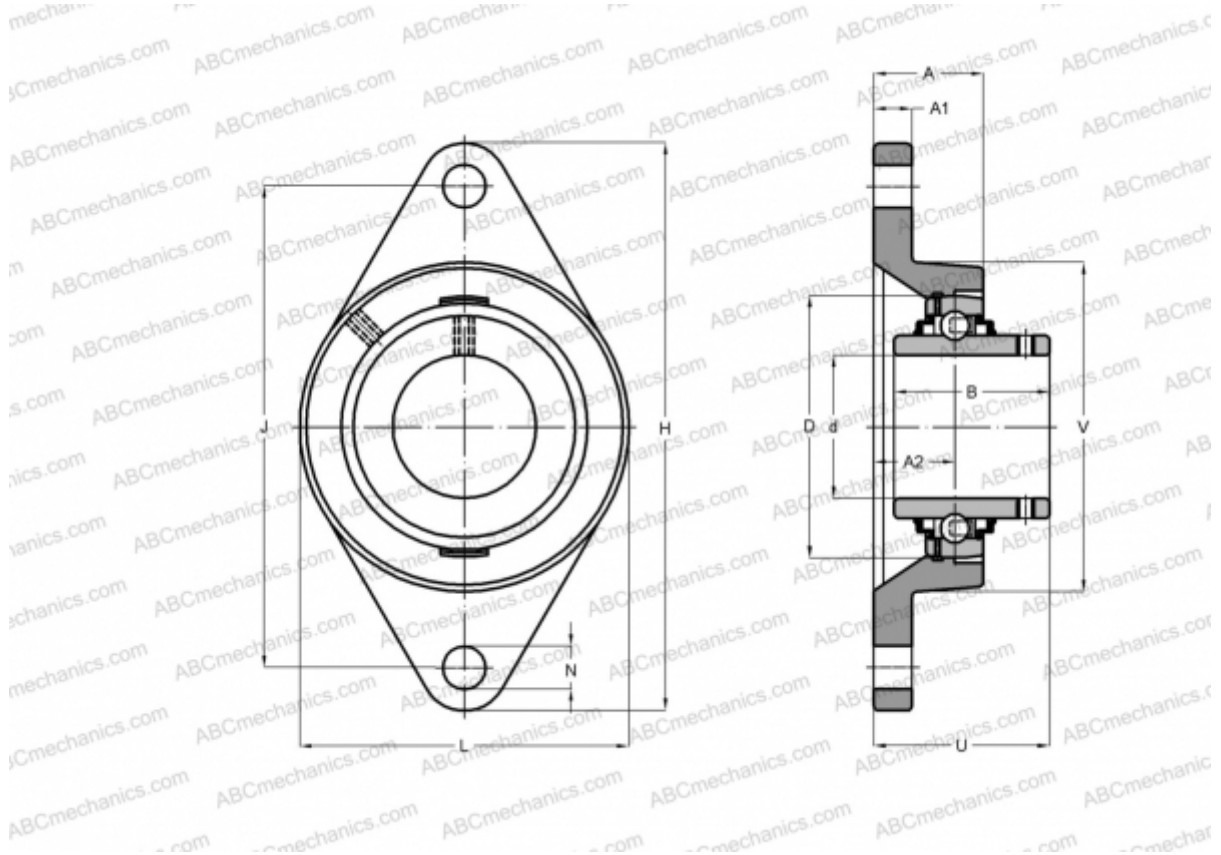


FYTB 40 TR SKF

Ball bearing units

TYPE: Housing units, Two-bolt flanged housing units, Cast iron housing, Radial insert ball bearing with grub screws in inner ring, Type FYTB..TR (SKF)



Technical specification

DIMENSIONS, MM

d	40,000
D	80,000
B	49,200
L	102,000
H	171,500
A	38,500
J	143,500
A1	14,000
A2	24,000
N	14,000
U	54,200
V	88,900

WEIGHT, KG 1,650

Bearing	YAR 208-2RF
Housing	FYTB 508 M
Protective cover	ECY 208

MANUFACTURER

[SKF](#)

CALCULATION DATA

Basic dynamic load rating, C	30,700 kN
Basic static load rating, Co	19,000 kN
Fatigue load limit, Pu	0,800 kN
Limiting speed	2800 r/min