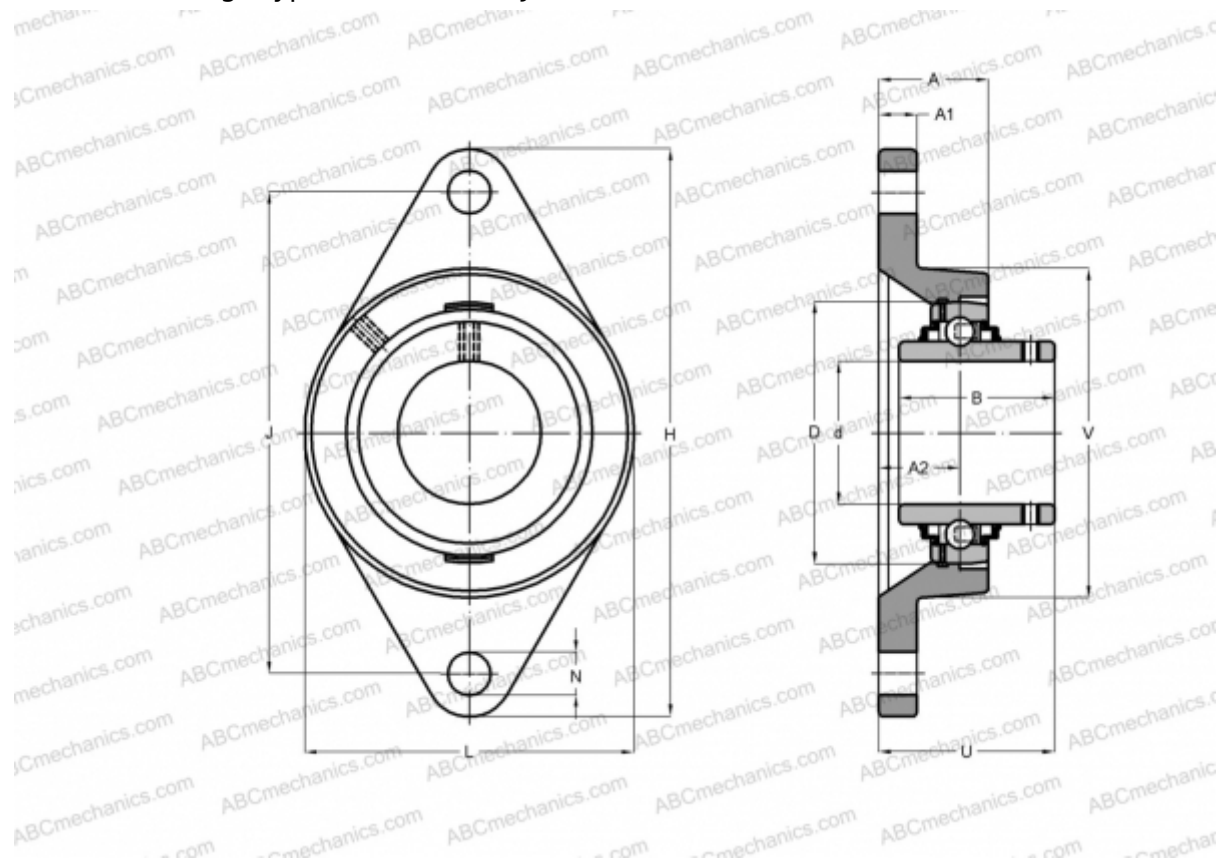


FYT 5/8 TF SKF

Ball bearing units

TYPE: Housing units, Two-bolt flanged housing units, Cast iron housing, Radial insert ball bearing with grub screws in inner ring, Type FYT/FYTB/FYTJ..TF (SKF), inch



Technical specification

DIMENSIONS, MM

| | |
|----|--------|
| d | 15,875 |
| D | 40,000 |
| B | 27,400 |
| L | 54,000 |
| H | 98,500 |
| A | 23,400 |
| J | 76,200 |
| A1 | 11,500 |
| A2 | 14,700 |
| N | 11,100 |
| U | 30,600 |

WEIGHT, KG

0,310

Bearing

YAR 203-010-2F

Housing

FYT 503 U

MANUFACTURER

[SKF](#)

CALCULATION DATA

| | |
|------------------------------|------------|
| Basic dynamic load rating, C | 9,560 kN |
| Basic static load rating, Co | 4,750 kN |
| Fatigue load limit, Pu | 0,200 kN |
| Limiting speed | 9500 r/min |