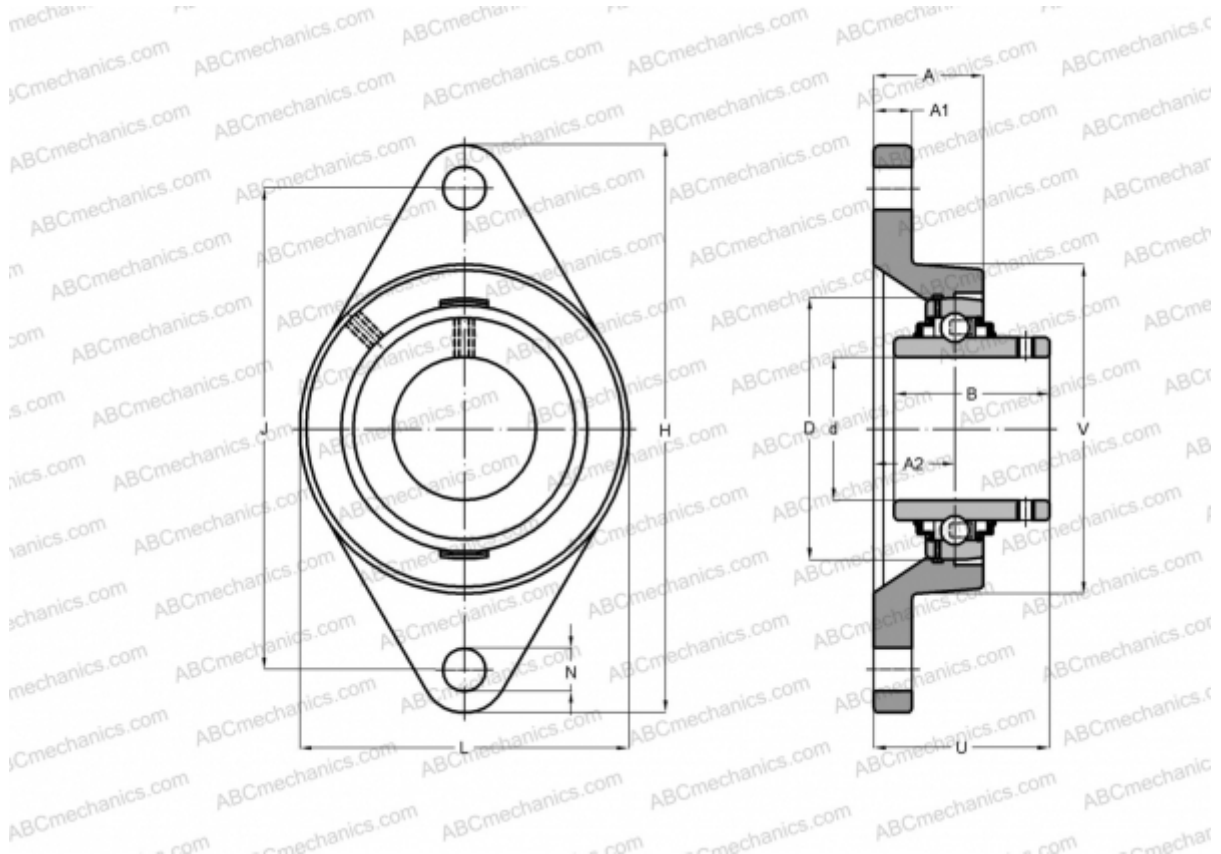


## FYT 3/4 TF/AH SKF

Ball bearing units

TYPE: Housing units, Two-bolt flanged housing units, Cast iron housing, Radial insert ball bearing with grub screws in inner ring, Type FYT/FYTB/FYTJ..TF (SKF), inch



### Technical specification

#### DIMENSIONS, MM

d	19,050
D	47,000
B	31,000
L	60,500
H	111,900
A	24,600
J	89,700
A1	11,100
A2	14,300
N	11,100
U	32,600

#### WEIGHT, KG

0,500

Bearing

YAR 204-012-  
2F/AH

Housing

FYT 504 U/AH

#### MANUFACTURER

[SKF](#)

#### CALCULATION DATA

Basic dynamic load rating, C	12,700 kN
Basic static load rating, Co	6,550 kN
Fatigue load limit, Pu	0,280 kN
Limiting speed	8500 r/min