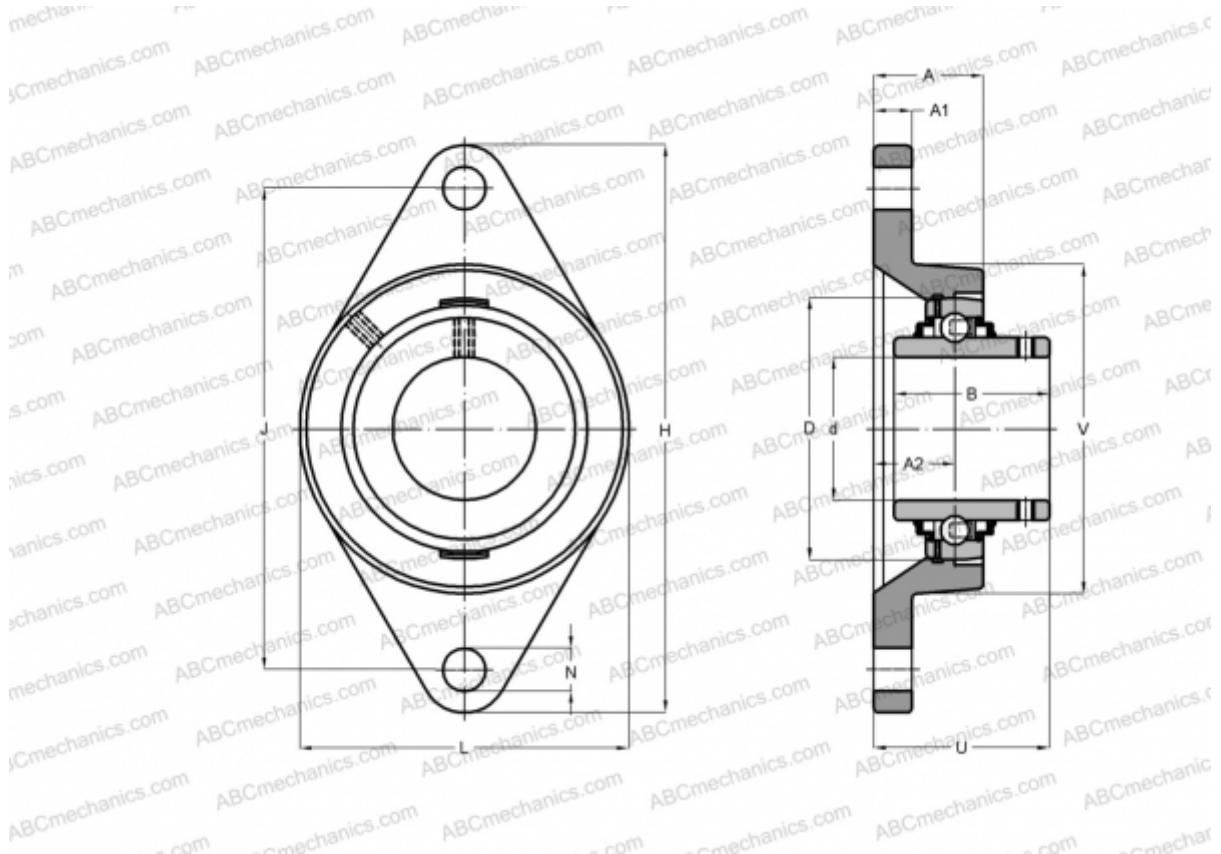


## FYTJ 1.1/4 TF SKF

Ball bearing units

TYPE: Housing units, Two-bolt flanged housing units, Cast iron housing, Radial insert ball bearing with grub screws in inner ring, Type FYT/FYTB/FYTJ..TF (SKF), inch



### Technical specification

#### DIMENSIONS, MM

d	31,750
D	72,000
B	42,900
L	96,000
H	161,000
A	34,000
J	130,000
A1	16,000
A2	19,000
N	16,000
U	44,400

#### WEIGHT, KG

1,300

Bearing

YAR 207-104-2F

Housing

FYTJ 507 U

#### MANUFACTURER

[SKF](#)

#### CALCULATION DATA

Basic dynamic load rating, C	25,500 kN
Basic static load rating, Co	15,300 kN
Fatigue load limit, Pu	0,655 kN
Limiting speed	5300 r/min