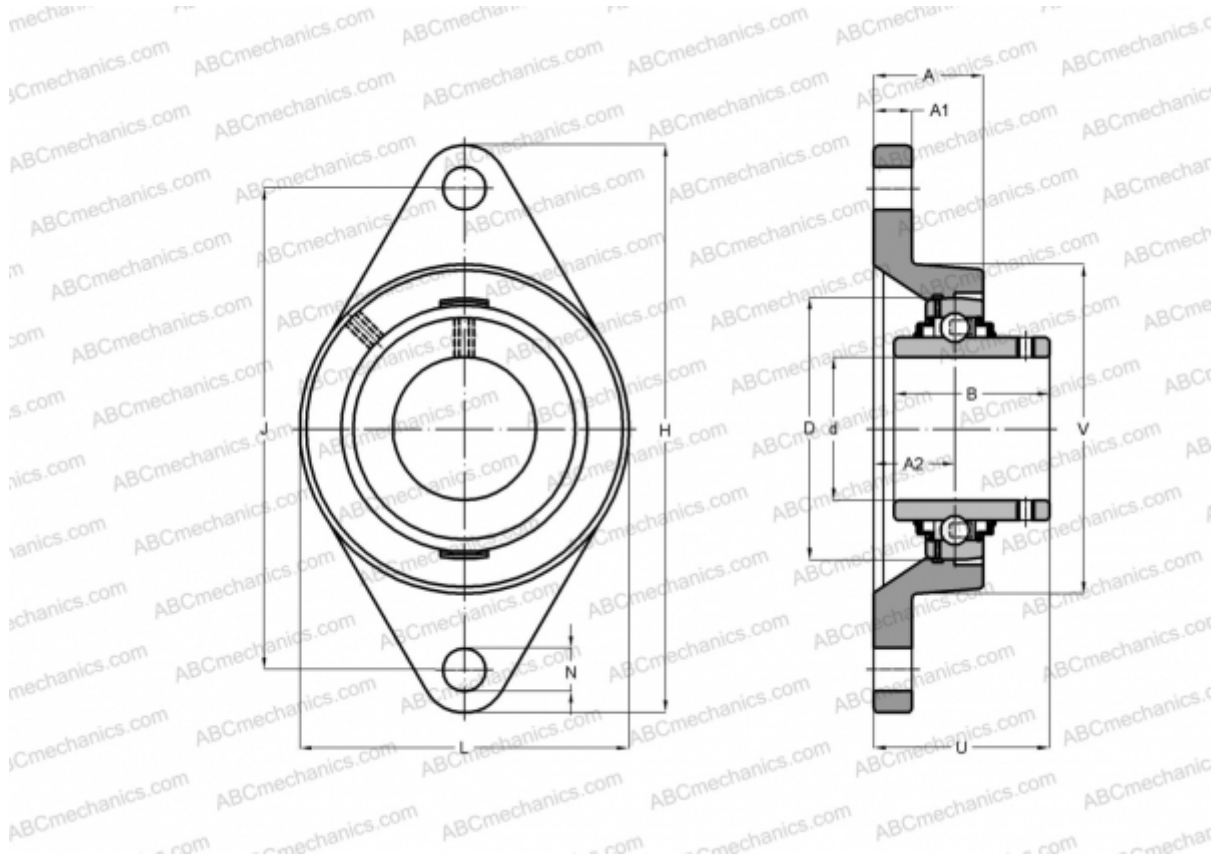


FYT 1.7/16 TF SKF

Ball bearing units

TYPE: Housing units, Two-bolt flanged housing units, Cast iron housing, Radial insert ball bearing with grub screws in inner ring, Type FYT/FYTB/FYTJ..TF (SKF), inch



Technical specification

DIMENSIONS, MM

d	36,513
D	72,000
B	42,900
L	96,000
H	156,000
A	34,500
J	130,200
A1	13,000
A2	21,000
N	14,300
U	46,400

WEIGHT, KG

1,250

Bearing

YAR 207-107-2F

Housing

FYT 507 U

MANUFACTURER

[SKF](#)

CALCULATION DATA

Basic dynamic load rating, C	25,500 kN
Basic static load rating, Co	15,300 kN
Fatigue load limit, Pu	0,655 kN
Limiting speed	5300 r/min