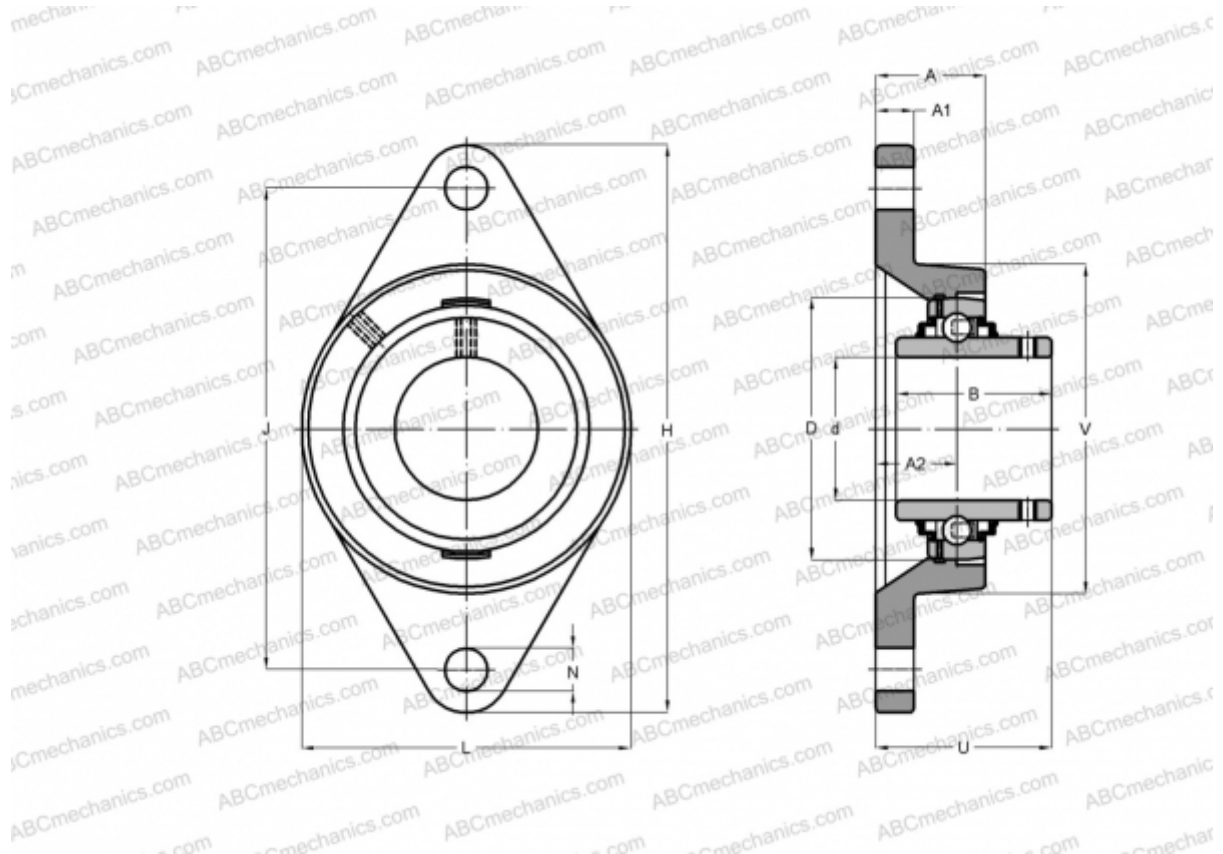


FYTJ 1.1/2 TF SKF

Ball bearing units

TYPE: Housing units, Two-bolt flanged housing units, Cast iron housing, Radial insert ball bearing with grub screws in inner ring, Type FYT/FYTB/FYTJ..TF (SKF), inch



Technical specification

DIMENSIONS, MM

d	38,100
D	80,000
B	49,200
L	100,000
H	175,000
A	36,000
J	144,000
A1	16,000
A2	21,000
N	16,000
U	51,200

WEIGHT, KG

1,600

Bearing

YAR 208-108-2F

Housing

FYTJ 508

MANUFACTURER

[SKF](#)

CALCULATION DATA

Basic dynamic load rating, C	30,700 kN
Basic static load rating, Co	19,000 kN
Fatigue load limit, Pu	0,800 kN
Limiting speed	4800 r/min