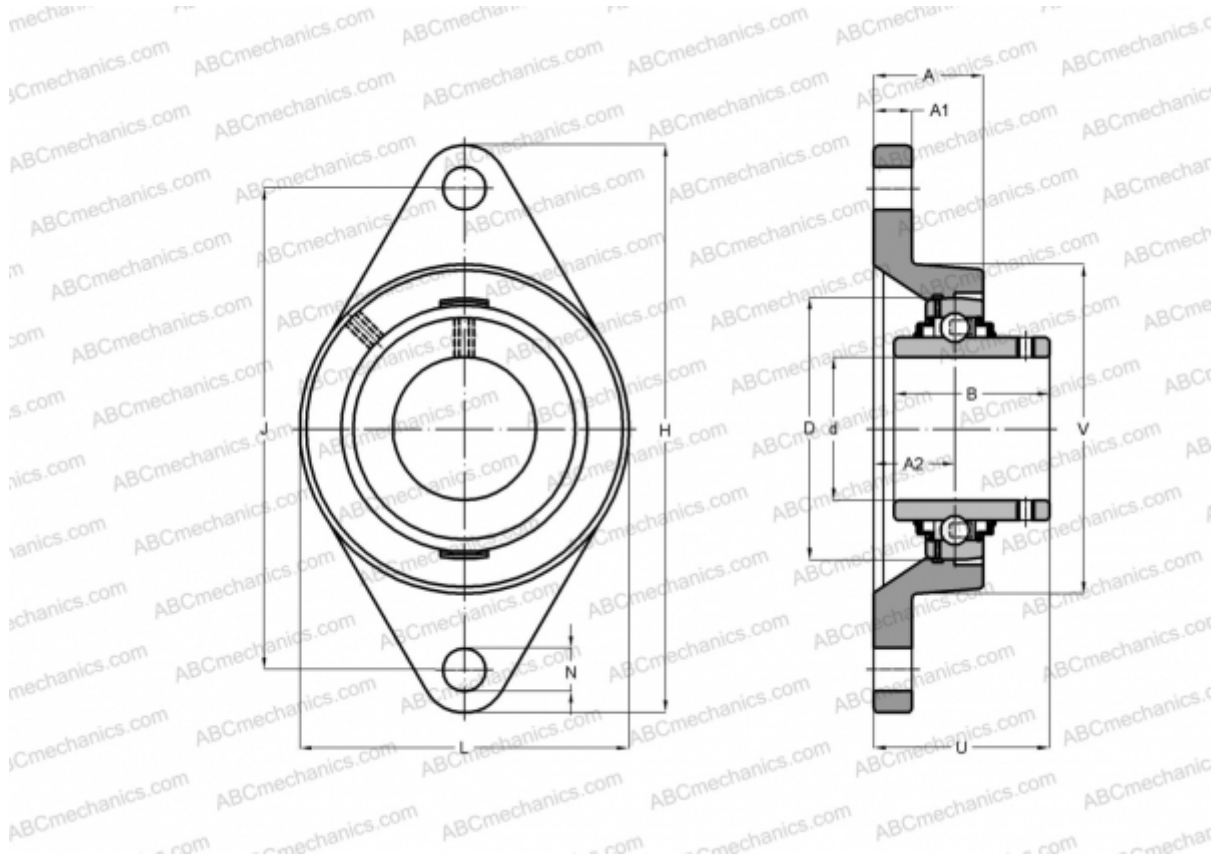


## FYT 1.15/16 TF SKF

Ball bearing units

TYPE: Housing units, Two-bolt flanged housing units, Cast iron housing, Radial insert ball bearing with grub screws in inner ring, Type FYT/FYTB/FYTJ..TF (SKF), inch



### Technical specification

#### DIMENSIONS, MM

d	49,213
D	90,000
B	51,600
L	116,000
H	189,000
A	43,000
J	157,200
A1	15,000
A2	28,000
N	15,900
U	60,600

#### WEIGHT, KG

2,250

Bearing

YAR 210-115-2F

Housing

FYT 510 U

#### MANUFACTURER

[SKF](#)

#### CALCULATION DATA

Basic dynamic load rating, C	35,100 kN
Basic static load rating, Co	23,200 kN
Fatigue load limit, Pu	0,980 kN
Limiting speed	4000 r/min