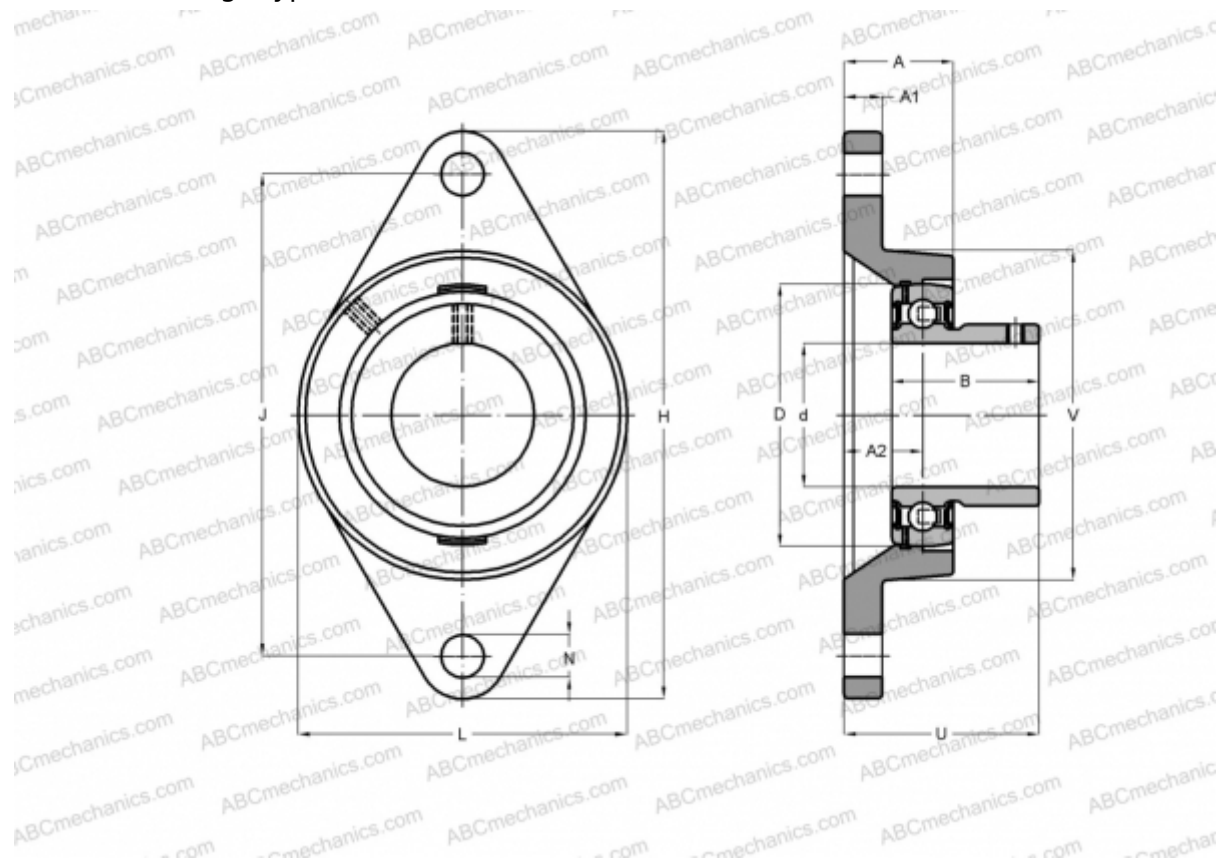


FYT 3/4 RM SKF

Ball bearing units

TYPE: Housing units, Two-bolt flanged housing units, Cast iron housing, Radial insert ball bearing with grub screws in inner ring, Type FYT..RM (SKF), inch



Technical specification

DIMENSIONS, MM

d	19,050
D	47,000
B	25,500
L	60,500
H	111,900
A	24,600
J	89,700
A1	11,100
A2	14,300
N	11,100
U	32,600

WEIGHT, KG

Bearing YAT 204-012 0,470

Housing

FYT 504 U

MANUFACTURER

[SKF](#)

CALCULATION DATA

Basic dynamic load rating, C	12,700 kN
Basic static load rating, Co	6,550 kN
Fatigue load limit, Pu	0,280 kN
Limiting speed	8500 r/min