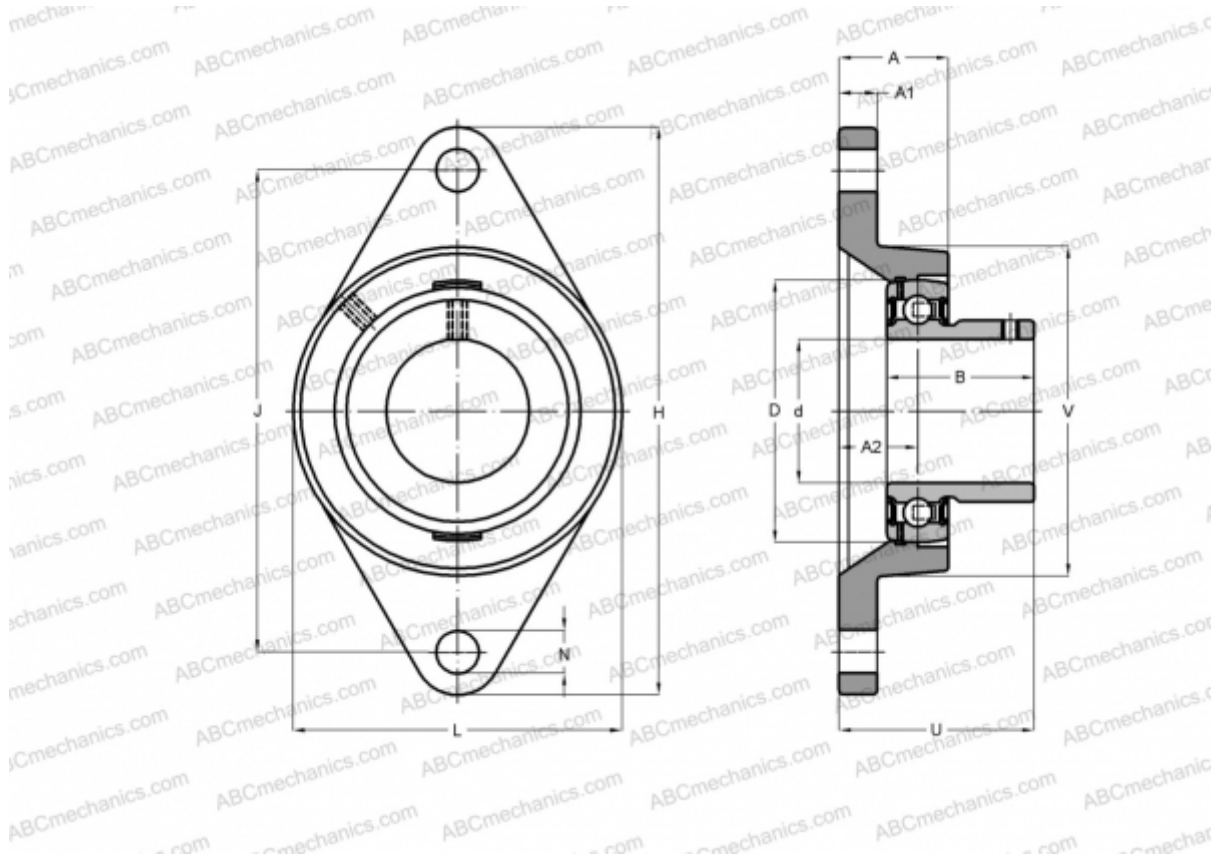


FYT 15/16 RM SKF

Ball bearing units

TYPE: Housing units, Two-bolt flanged housing units, Cast iron housing, Radial insert ball bearing with grub screws in inner ring, Type FYT..RM (SKF), inch



Technical specification

DIMENSIONS, MM

d	23,813
D	52,000
B	27,200
L	70,000
H	124,000
A	30,000
J	98,800
A1	12,000
A2	19,300
N	12,700
U	38,800

WEIGHT, KG 0,610

Bearing YAT 205-015

Housing FYT 505 U

MANUFACTURER

[SKF](#)

CALCULATION DATA

Basic dynamic load rating, C	14,000 kN
Basic static load rating, Co	7,800 kN
Fatigue load limit, Pu	0,335 kN
Limiting speed	7000 r/min