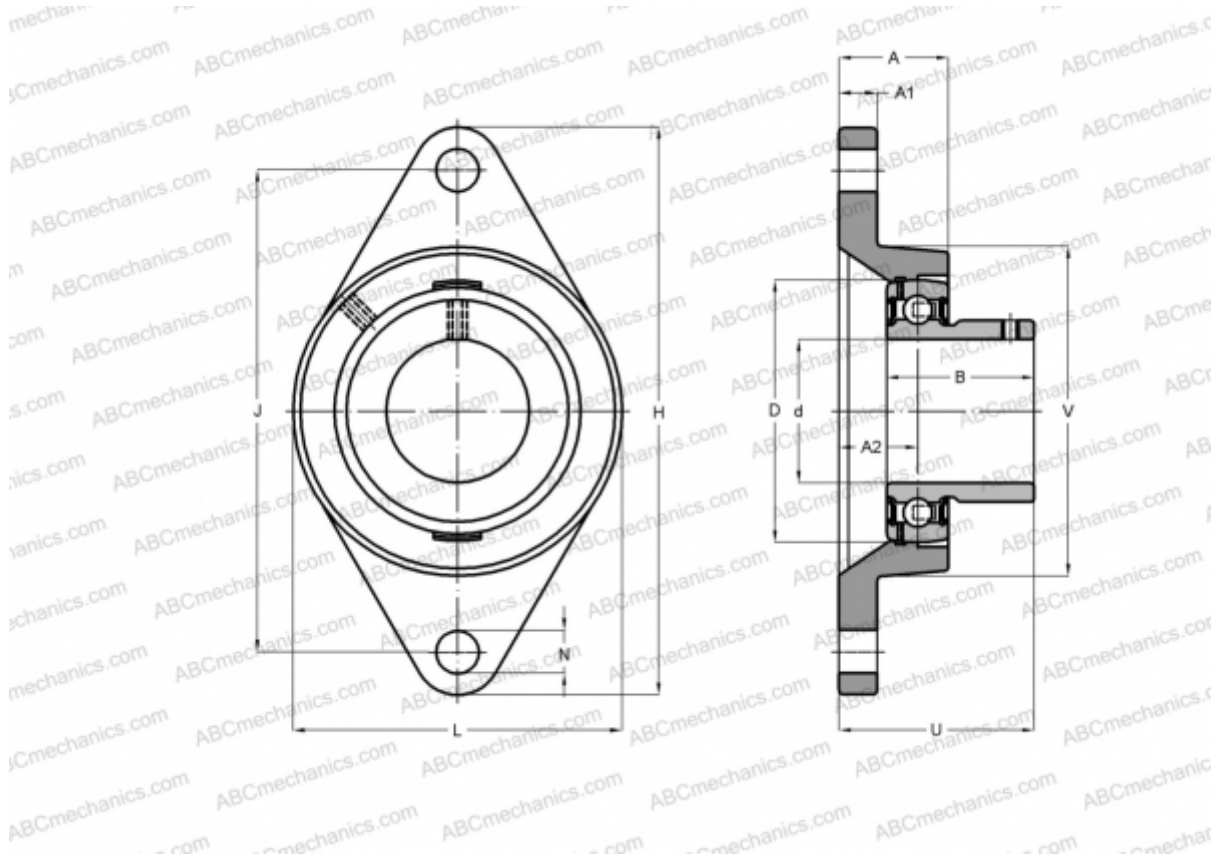


FYT 1.3/8 RM SKF

Ball bearing units

TYPE: Housing units, Two-bolt flanged housing units, Cast iron housing, Radial insert ball bearing with grub screws in inner ring, Type FYT..RM (SKF), inch



Technical specification

DIMENSIONS, MM

| | |
|----|---------|
| d | 34,925 |
| D | 72,000 |
| B | 35,000 |
| L | 96,000 |
| H | 156,000 |
| A | 34,500 |
| J | 130,200 |
| A1 | 13,000 |
| A2 | 20,900 |
| N | 14,300 |
| U | 46,400 |

WEIGHT, KG

1,150

Bearing

YAT 207-106

Housing

FYT 507 U

MANUFACTURER

[SKF](#)

CALCULATION DATA

| | |
|------------------------------|------------|
| Basic dynamic load rating, C | 25,500 kN |
| Basic static load rating, Co | 15,300 kN |
| Fatigue load limit, Pu | 0,655 kN |
| Limiting speed | 5300 r/min |