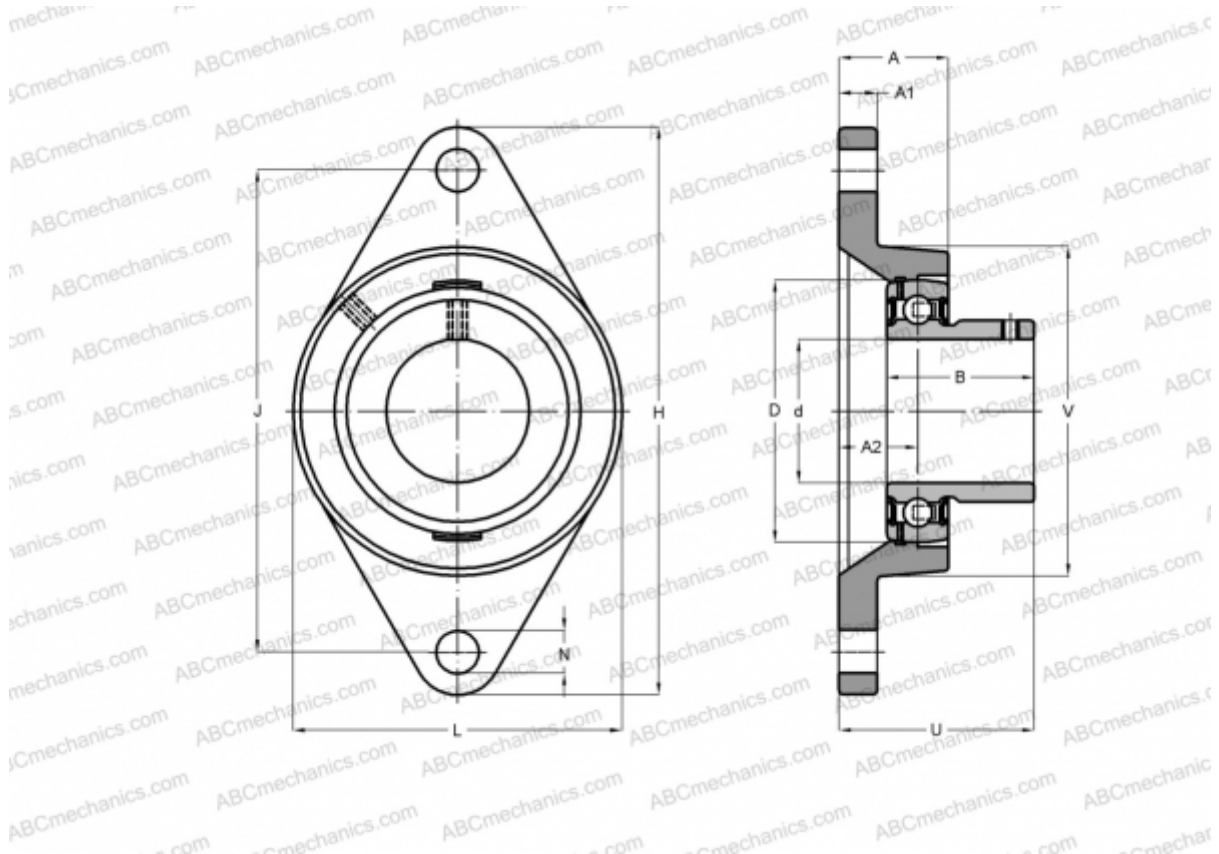


## FYT 1.7/16 RM SKF

Ball bearing units

TYPE: Housing units, Two-bolt flanged housing units, Cast iron housing, Radial insert ball bearing with grub screws in inner ring, Type FYT..RM (SKF), inch



### Technical specification

#### DIMENSIONS, MM

|    |         |
|----|---------|
| d  | 36,513  |
| D  | 72,000  |
| B  | 35,000  |
| L  | 96,000  |
| H  | 156,000 |
| A  | 34,500  |
| J  | 130,200 |
| A1 | 13,000  |
| A2 | 20,900  |
| N  | 14,300  |
| U  | 46,400  |

#### WEIGHT, KG

Bearing

YAT 207-107

Housing

FYT 507 U

#### MANUFACTURER

[SKF](#)

#### CALCULATION DATA

|                              |            |
|------------------------------|------------|
| Basic dynamic load rating, C | 25,500 kN  |
| Basic static load rating, Co | 15,300 kN  |
| Fatigue load limit, Pu       | 0,655 kN   |
| Limiting speed               | 5300 r/min |