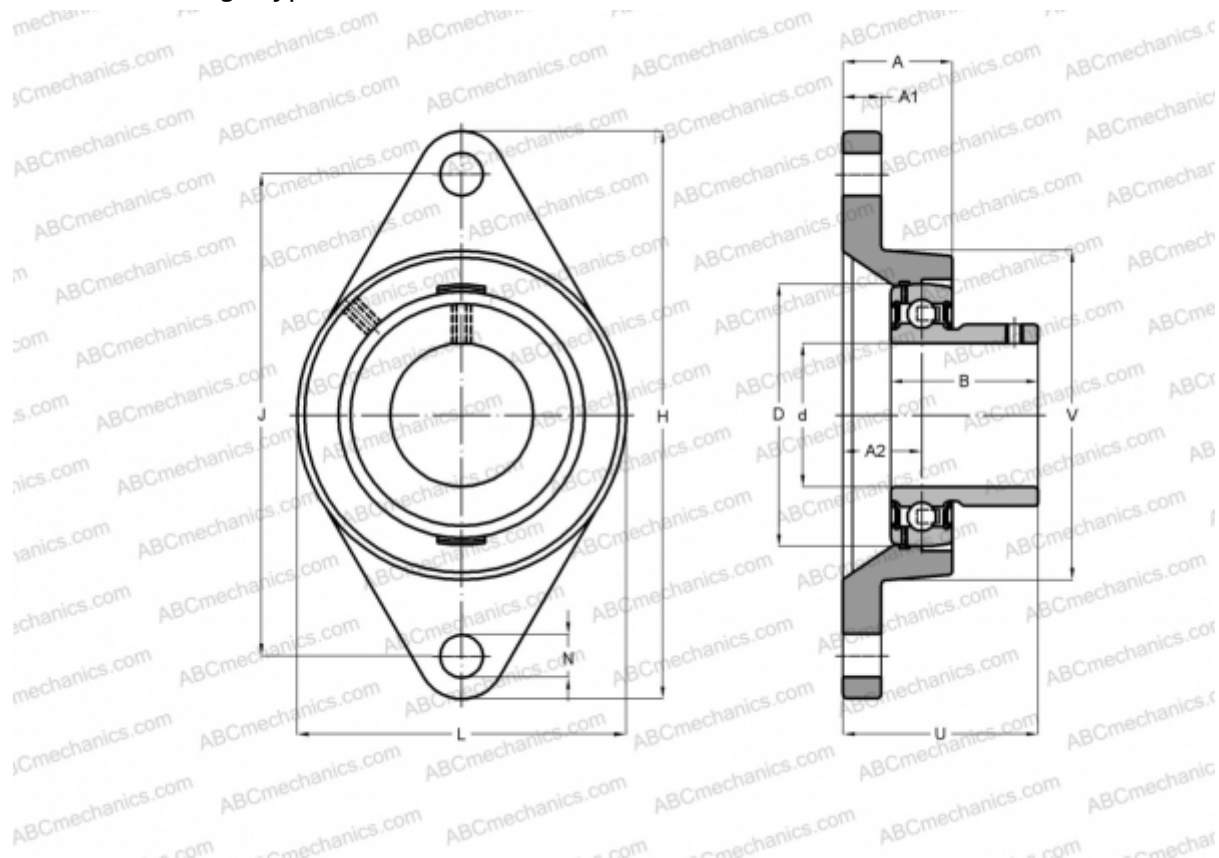


FYT 2.3/16 RM SKF

Ball bearing units

TYPE: Housing units, Two-bolt flanged housing units, Cast iron housing, Radial insert ball bearing with grub screws in inner ring, Type FYT..RM (SKF), inch



Technical specification

DIMENSIONS, MM

d	55,563
D	100,000
B	45,000
L	127,000
H	216,000
A	47,600
J	184,200
A1	20,600
A2	29,800
N	19,000
U	62,300

WEIGHT, KG

Bearing YAT 211-203 3,100

Housing

FYT 511 U

MANUFACTURER

[SKF](#)

CALCULATION DATA

Basic dynamic load rating, C	43,600 kN
Basic static load rating, Co	29,000 kN
Fatigue load limit, Pu	1,250 kN
Limiting speed	3600 r/min