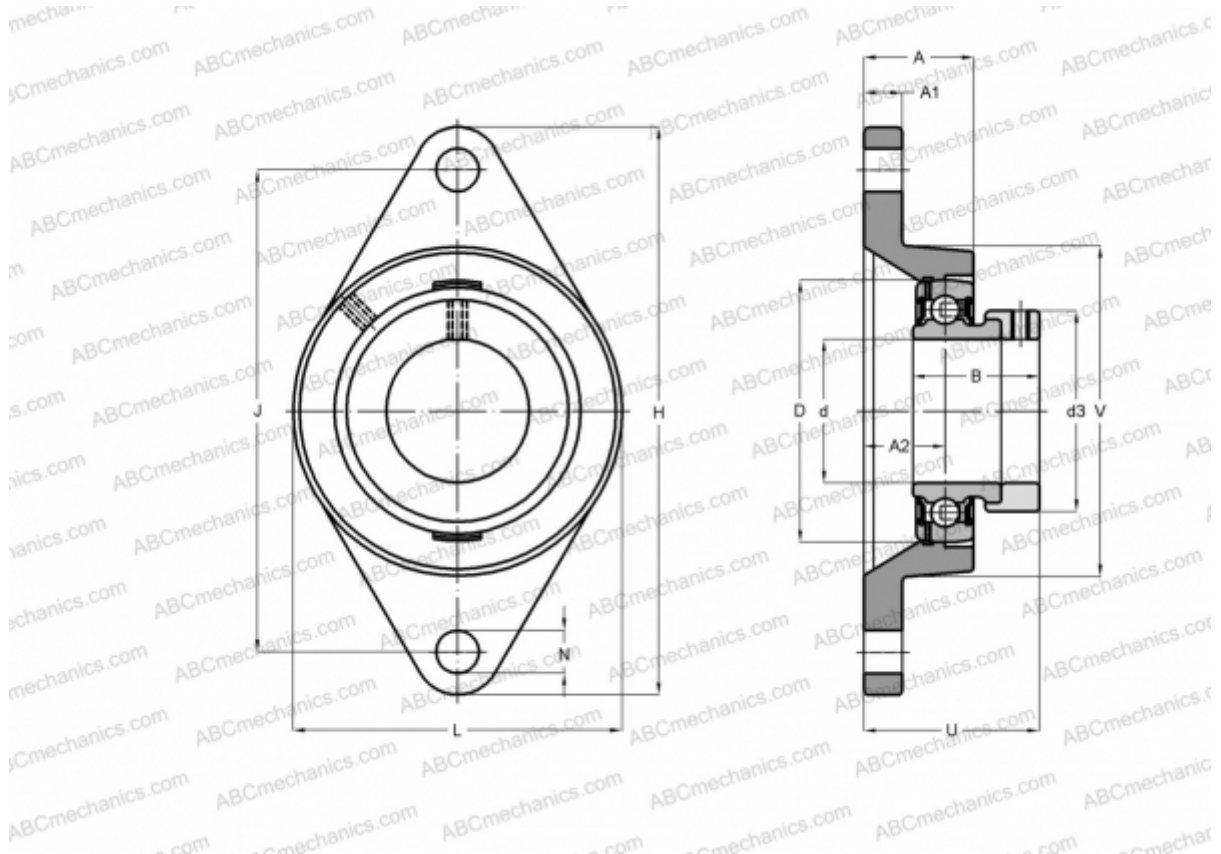


FYTB 50 FM SKF

Ball bearing units

TYPE: Housing units, Two-bolt flanged housing units, Cast iron housing, Radial insert ball bearing with eccentric locking collar, Type FYTB..FM (SKF)



Technical specification

DIMENSIONS, MM

d	50,000
D	90,000
B	43,700
L	116,000
H	189,000
A	43,000
J	157,000
A1	15,000
A2	32,700
N	18,000
d3	67,200
U	60,700
V	101,600

Bearing	YET 210
Housing	FYTB 510 M
Protective cover	ECY 210

MANUFACTURER

[SKF](#)

CALCULATION DATA

Basic dynamic load rating, C	35,100 kN
Basic static load rating, Co	23,200 kN
Fatigue load limit, Pu	0,980 kN
Limiting speed	4000 r/min

WEIGHT, KG 2,200