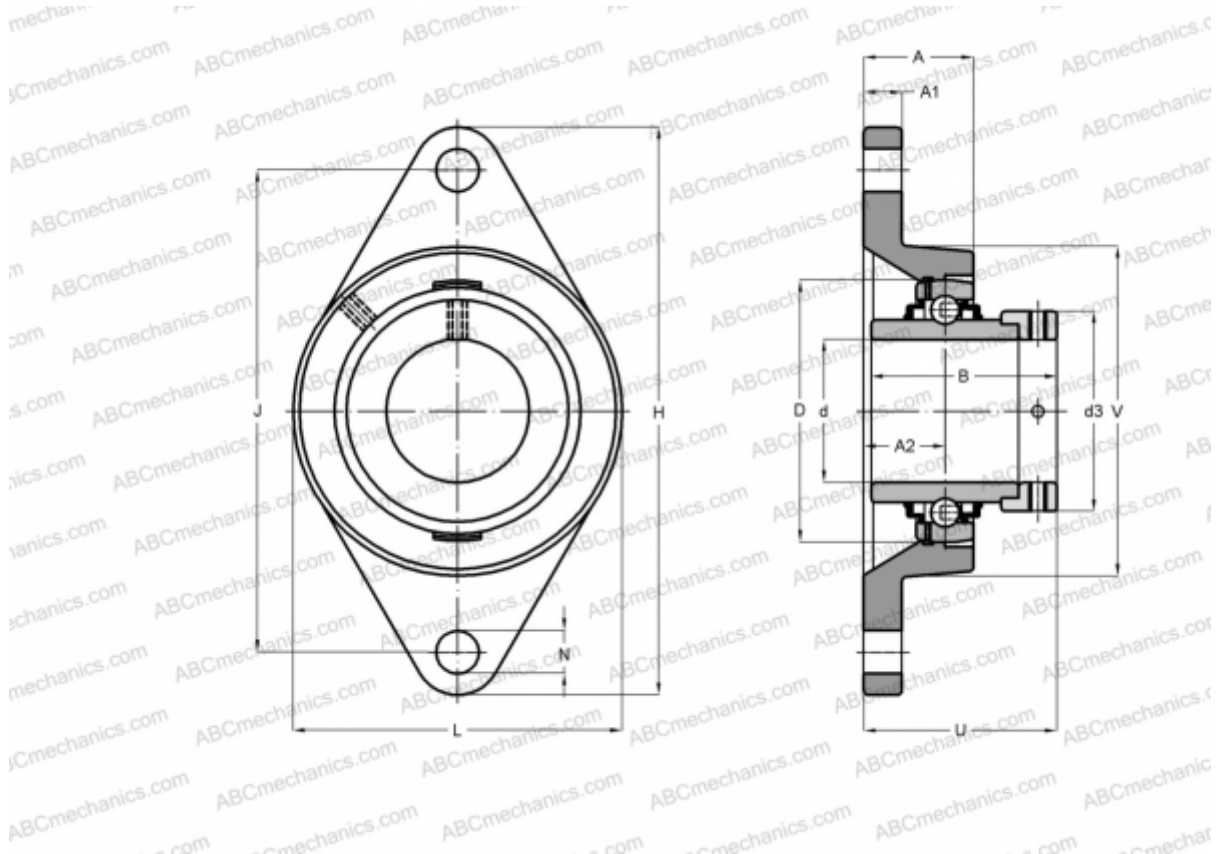


## FYTB 30 WF SKF

Ball bearing units

TYPE: Housing units, Two-bolt flanged housing units, Cast iron housing, Radial insert ball bearing with eccentric locking collar, Type FYTB..WF (SKF)



### Technical specification

#### DIMENSIONS, MM

d	30,000
D	62,000
B	48,400
L	83,000
H	141,500
A	32,500
J	116,500
A1	13,000
A2	30,100
N	11,500
d3	44,100
U	50,100
V	76,200

Bearing	YEL 206-2F
Housing	FYTB 506 M
Protective cover	ECY 206

#### MANUFACTURER

[SKF](#)

#### CALCULATION DATA

Basic dynamic load rating, C	19,500 kN
Basic static load rating, Co	11,200 kN
Fatigue load limit, Pu	0,475 kN
Limiting speed	6300 r/min

**WEIGHT, KG** 1,000