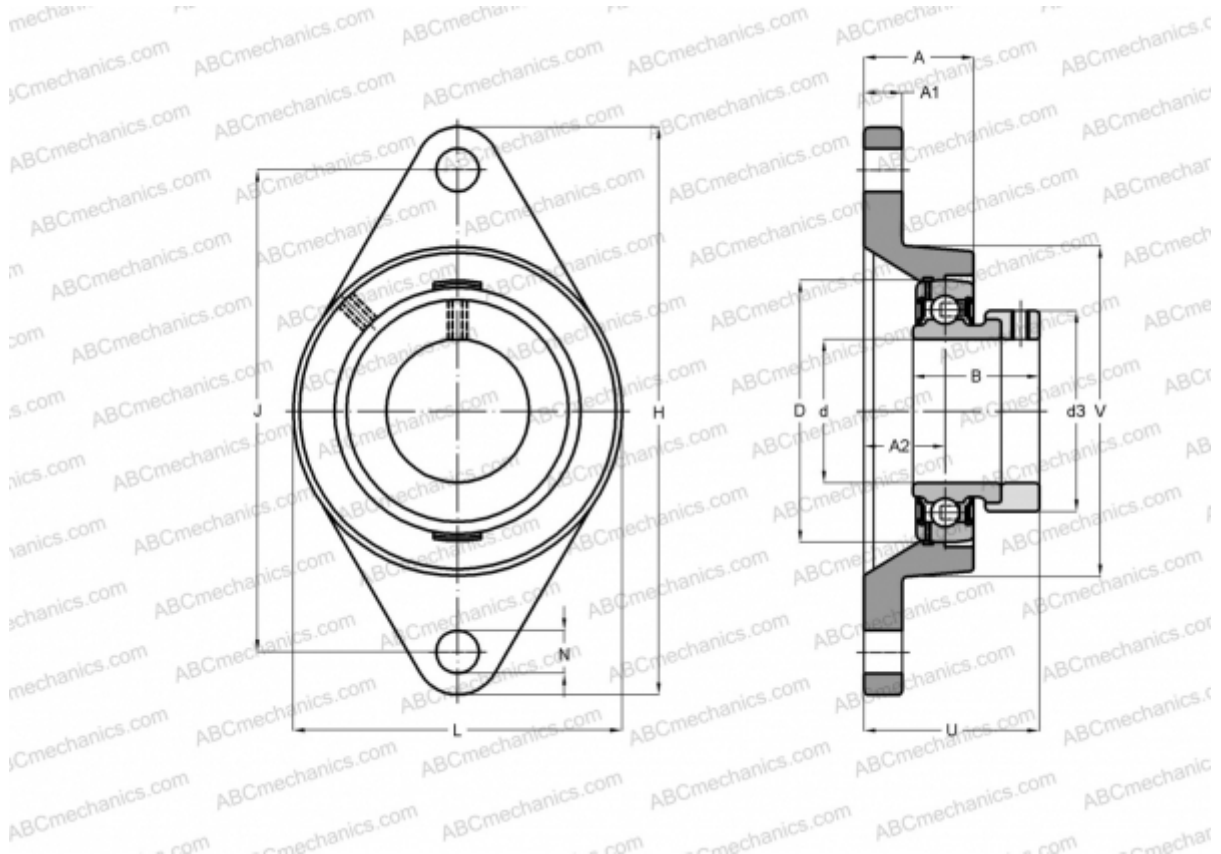


## FYT 1. FM SKF

Ball bearing units

TYPE: Housing units, Two-bolt flanged housing units, Cast iron housing, Radial insert ball bearing with eccentric locking collar, Type FYT..FM (SKF), inch



### Technical specification

#### DIMENSIONS, MM

d	25,400
D	52,000
B	31,000
L	70,000
H	124,000
A	30,000
J	98,800
A1	12,000
A2	19,000
N	12,700
d3	37,400
U	42,500

#### WEIGHT, KG

0,640

Bearing	YET 205-100
Housing	FYT 505 U

#### MANUFACTURER

[SKF](#)

#### CALCULATION DATA

Basic dynamic load rating, C	14,000 kN
Basic static load rating, Co	7,800 kN
Fatigue load limit, Pu	0,335 kN
Limiting speed	7000 r/min