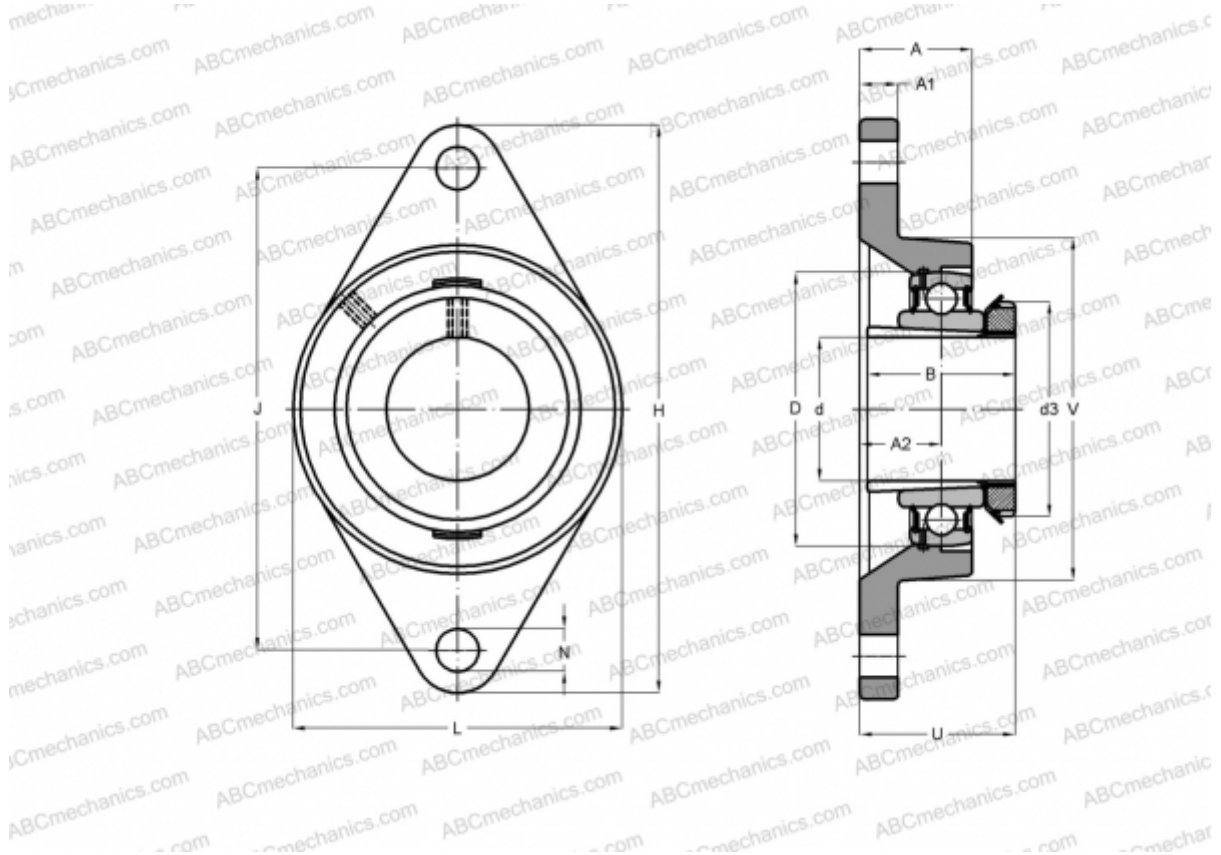


FYTJ 50 KF SKF

Ball bearing units

TYPE: Housing units, Two-bolt flanged housing units, Cast iron housing, Radial insert ball bearing with adapter sleeve, Type FYTJ..KF (SKF), inch



Technical specification

DIMENSIONS, MM

d	44,450
D	90,000
B	55,000
L	115,000
H	195,000
A	40,000
J	157,000
A1	18,000
A2	22,000
N	19,000
d3	70,000
U	52,500
V	101,600

Bearing	YSA 210-2FK
Housing	FYTJ 510
Adapter sleeve	HE 2310

MANUFACTURER

[SKF](#)

CALCULATION DATA

Basic dynamic load rating, C	35,100 kN
Basic static load rating, Co	23,200 kN
Fatigue load limit, Pu	0,980 kN
Limiting speed	4000 r/min

WEIGHT, KG

2,550