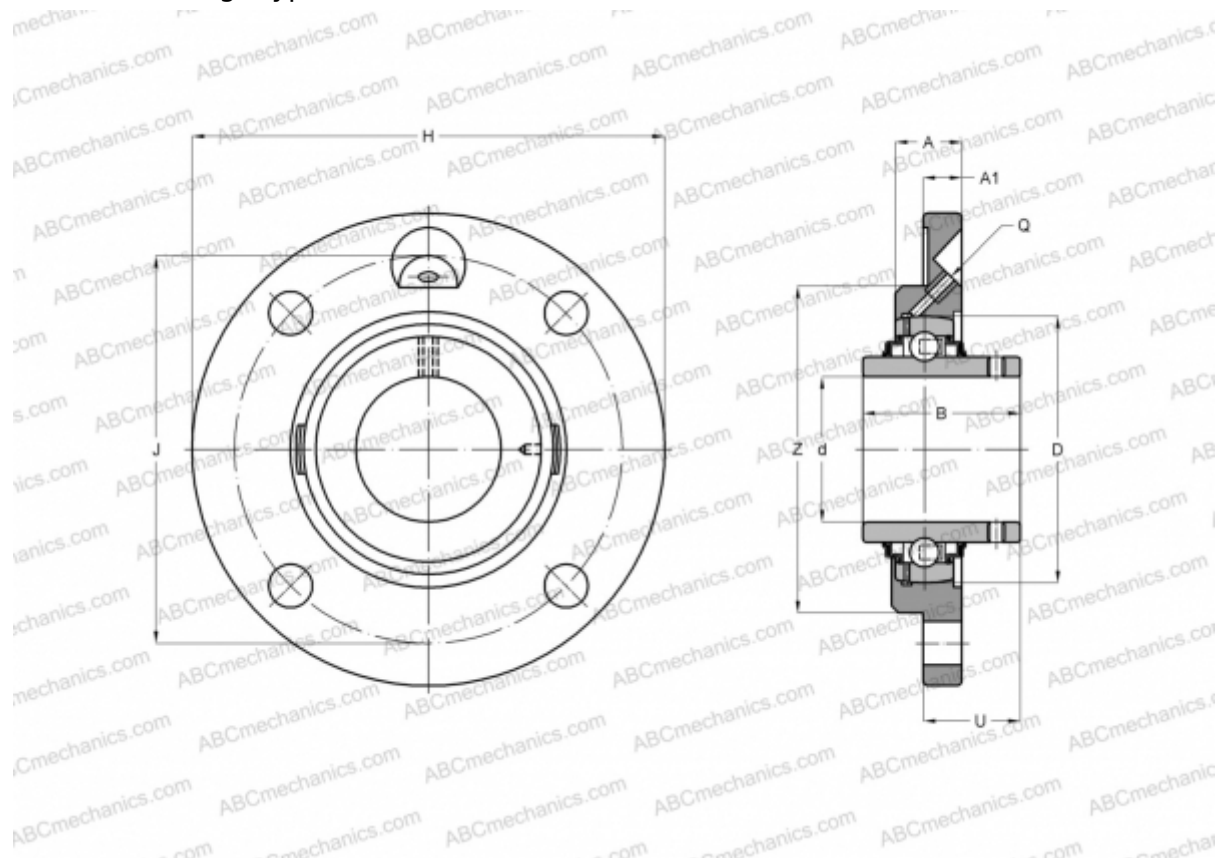


## FYC 20 TF SKF

Ball bearing units

TYPE: Housing units, Four-bolt flanged housing units, Cast iron housing, Radial insert ball bearing with grub screws in inner ring, Type FYC..TF (SKF)



### Technical specification

#### DIMENSIONS, MM

d	20,000
D	47,000
B	31,000
H	100,000
A	25,500
J	78,000
A1	7,000
U	28,300
Z	62,000

**WEIGHT, KG** 0,700

Bearing	YAR 204-2F
Housing	FYC 504

#### MANUFACTURER

[SKF](#)

#### CALCULATION DATA

Basic dynamic load rating, C	12,700 kN
Basic static load rating, Co	6,550 kN
Fatigue load limit, Pu	0,280 kN
Limiting speed	8500 r/min