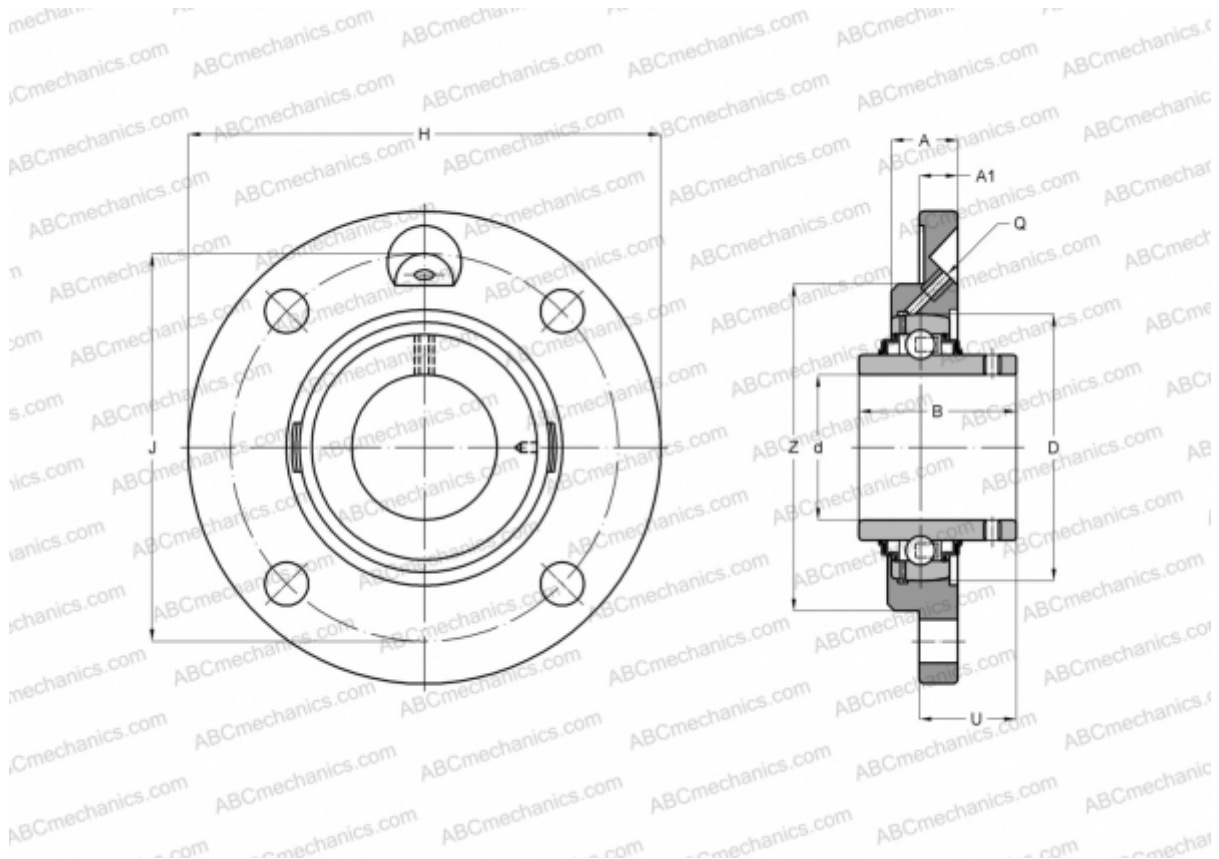


FYC 60 TF SKF

Ball bearing units

TYPE: Housing units, Four-bolt flanged housing units, Cast iron housing, Radial insert ball bearing with grub screws in inner ring, Type FYC..TF (SKF)



Technical specification

DIMENSIONS, MM

d	60,000
D	110,000
B	65,100
H	195,000
A	48,000
J	160,000
A1	15,000
U	56,700
Z	135,000

WEIGHT, KG

4,900

Bearing	YAR 212-2F
Housing	FYC 512

MANUFACTURER

[SKF](#)

CALCULATION DATA

Basic dynamic load rating, C	52,700 kN
Basic static load rating, Co	36,000 kN
Fatigue load limit, Pu	1,530 kN
Limiting speed	3400 r/min