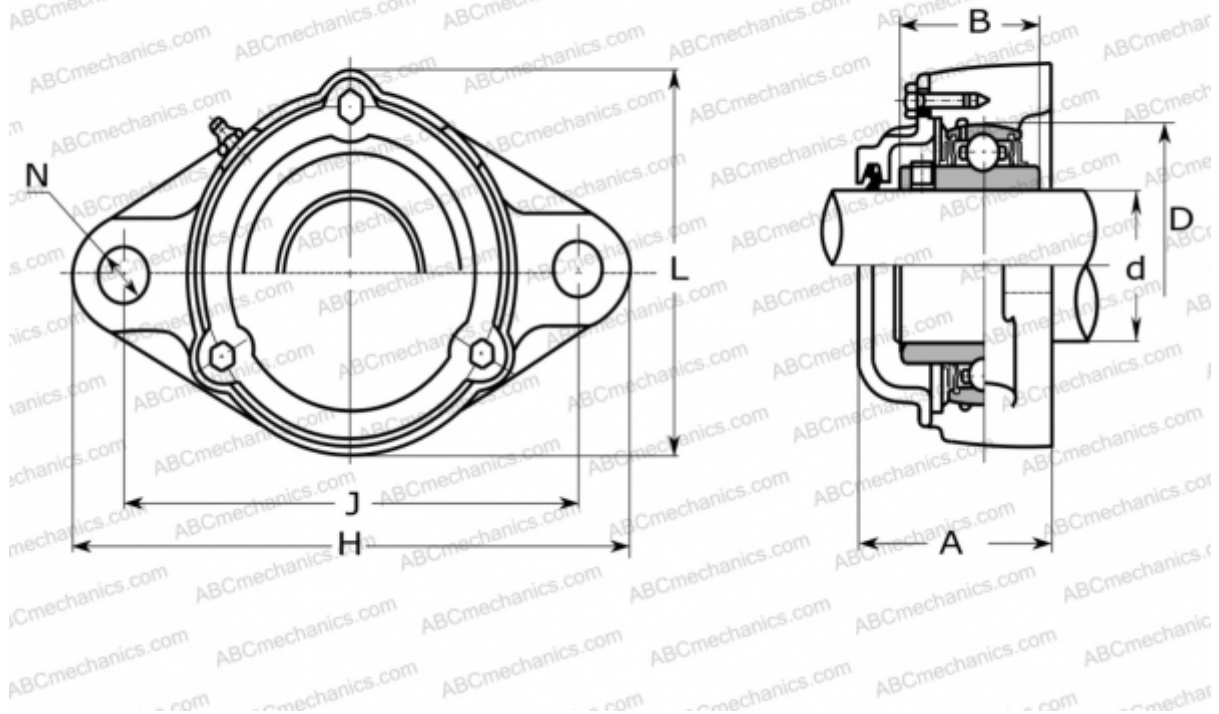


CUCFL 217C ASAHI

Ball bearing units

TYPE: Housing units, Two-bolt flanged housing units, Cast iron housing, Radial insert ball bearing with grub screws in inner ring, Type CUCFL..C with cast iron covers, open cover (ASAHI)



Technical specification

DIMENSIONS, MM

d	85,000
D	150,000
B	85,700
L	198,000
H	305,000
A	111,000
J	248,000
N	25,000

WEIGHT, KG

	11,800
Bearing	UC 217
Housing	CFL 217

MANUFACTURER

[ASAHI](#)