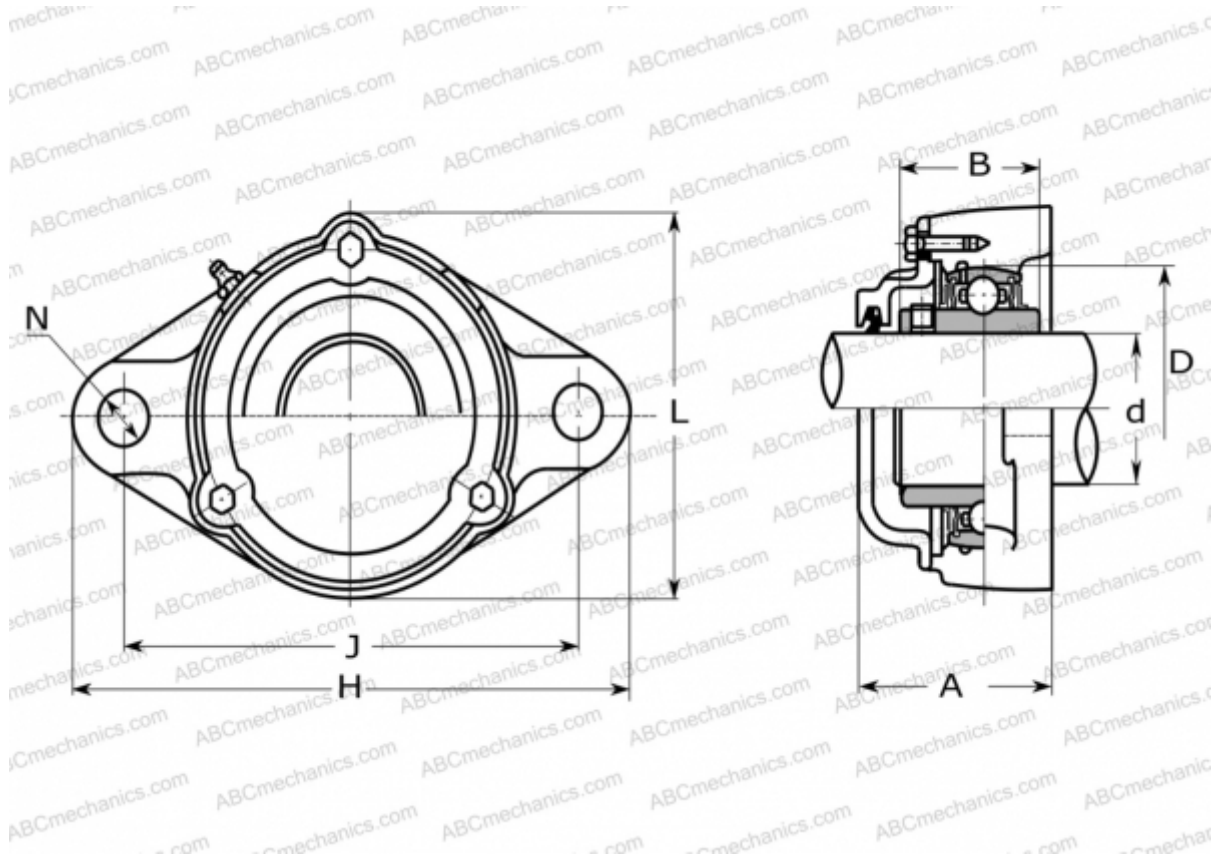


## CUCFL 209CE ASAHI

Ball bearing units

TYPE: Housing units, Two-bolt flanged housing units, Cast iron housing, Radial insert ball bearing with grub screws in inner ring, Type CUCFL..CE with cast iron covers, closed cover (ASAHI)



### Technical specification

#### DIMENSIONS, MM

d	45,000
D	85,000
B	49,200
L	113,000
H	188,000
A	67,000
J	148,000
N	19,000

#### WEIGHT, KG

Bearing	UC 209
Housing	CFL 209

#### MANUFACTURER

[ASAHI](#)