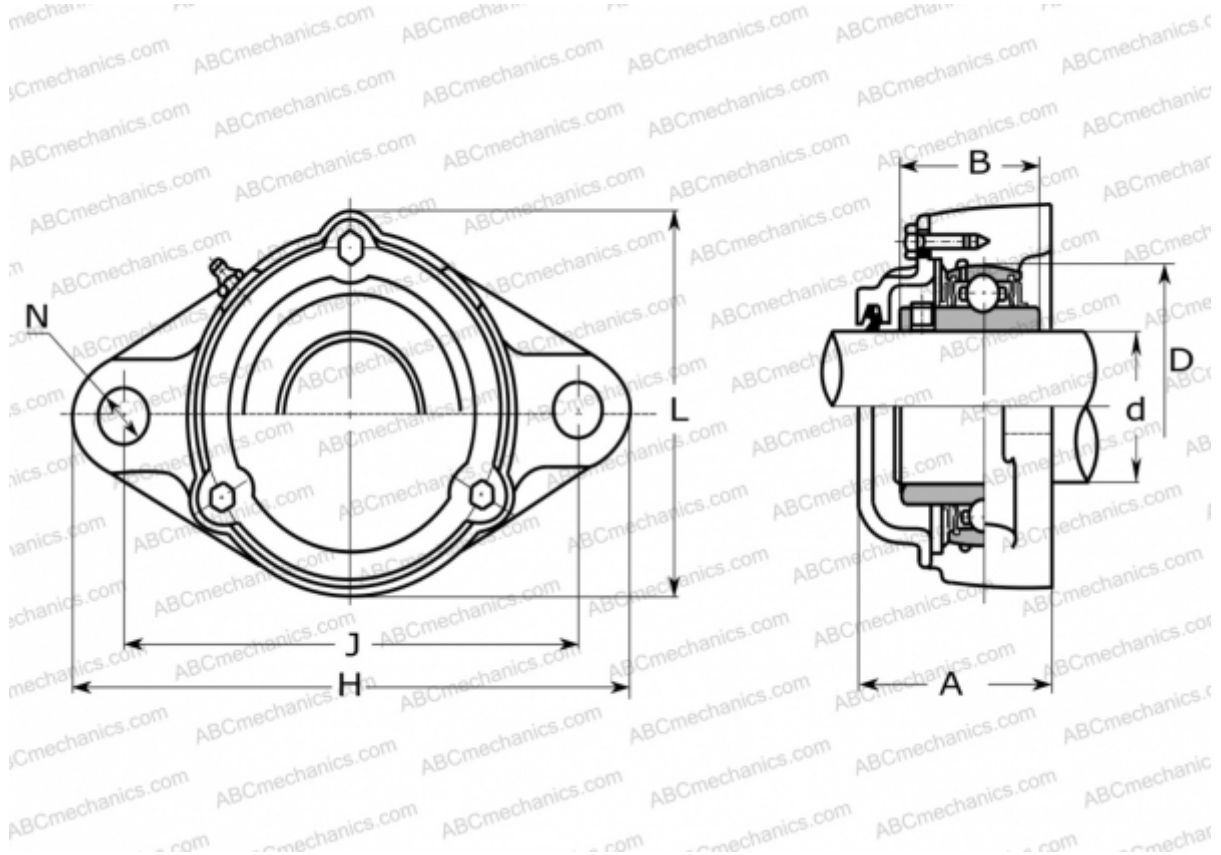


## CUCFL 215CE ASAHI

Ball bearing units

TYPE: Housing units, Two-bolt flanged housing units, Cast iron housing, Radial insert ball bearing with grub screws in inner ring, Type CUCFL..CE with cast iron covers, closed cover (ASAHI)



### Technical specification

#### DIMENSIONS, MM

d	75,000
D	130,000
B	77,800
L	168,000
H	275,000
A	102,000
J	225,000
N	23,000

#### MANUFACTURER

[ASAHI](#)

#### WEIGHT, KG

7,900

Bearing	UC 215
Housing	CFL 215