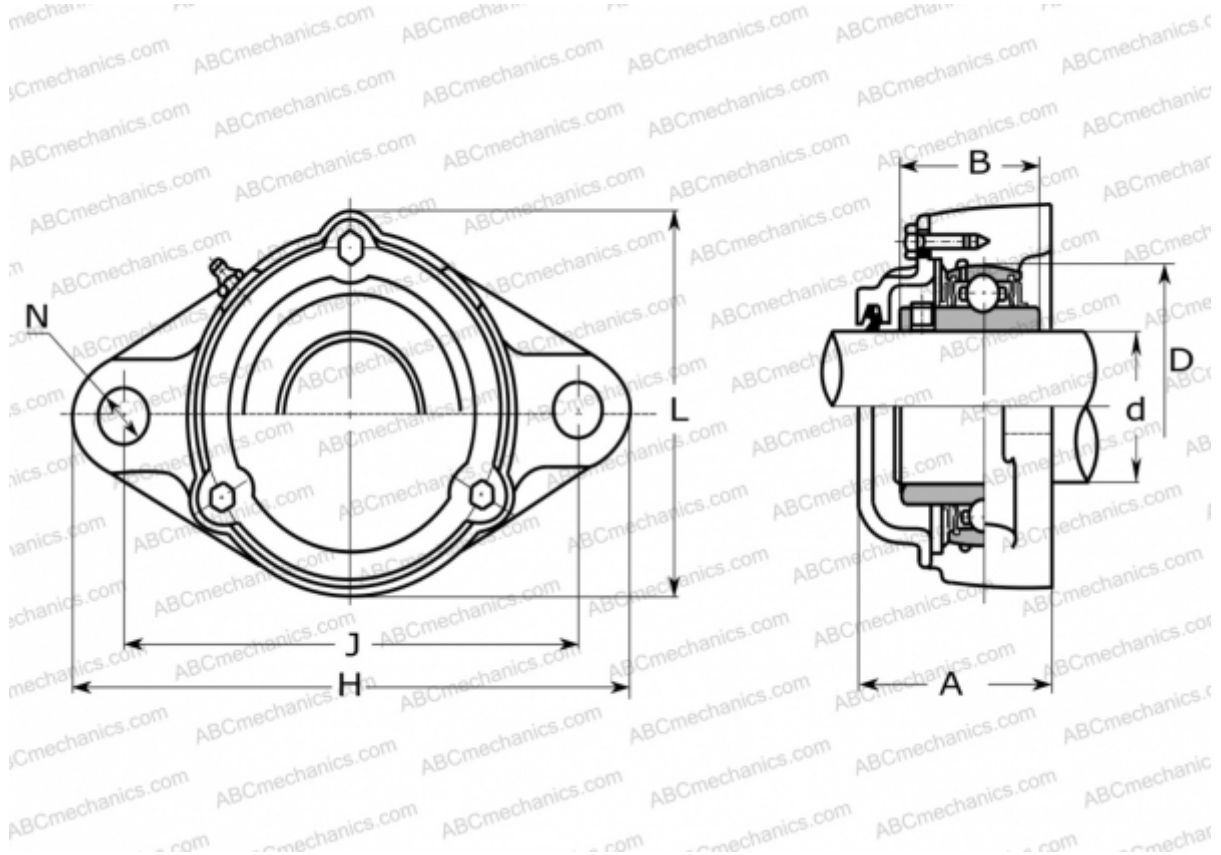


CUCFL 216CE ASAHI

Ball bearing units

TYPE: Housing units, Two-bolt flanged housing units, Cast iron housing, Radial insert ball bearing with grub screws in inner ring, Type CUCFL..CE with cast iron covers, closed cover (ASAHI)



Technical specification

DIMENSIONS, MM

d	80,000
D	140,000
B	82,600
L	188,000
H	290,000
A	107,000
J	233,000
N	25,000

MANUFACTURER

[ASAHI](#)

WEIGHT, KG

10,200

Bearing	UC 216
Housing	CFL 216