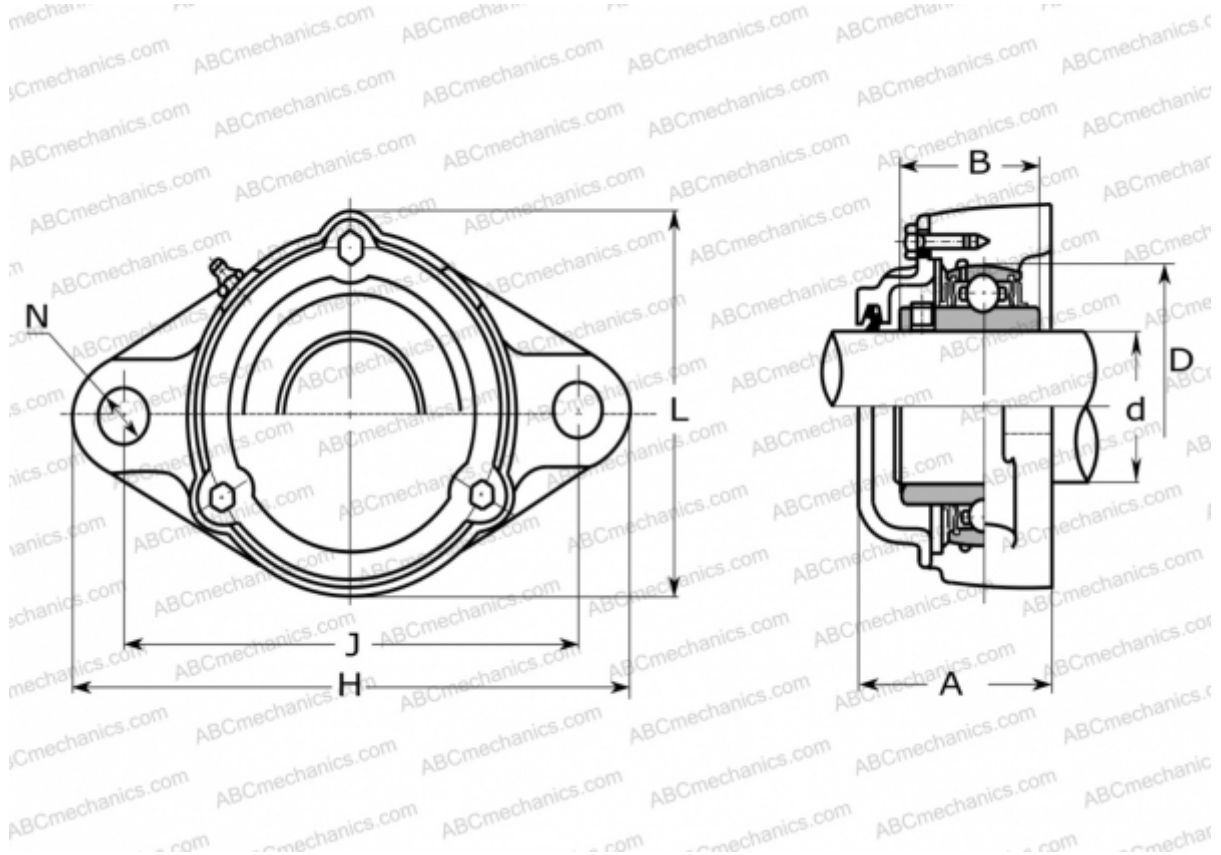


CUCFL 217CE ASAHI

Ball bearing units

TYPE: Housing units, Two-bolt flanged housing units, Cast iron housing, Radial insert ball bearing with grub screws in inner ring, Type CUCFL..CE with cast iron covers, closed cover (ASAHI)



Technical specification

DIMENSIONS, MM

d	85,000
D	150,000
B	85,700
L	198,000
H	305,000
A	111,000
J	248,000
N	25,000

MANUFACTURER

[ASAHI](http://www.asahi.com)

WEIGHT, KG

11,800

Bearing	UC 217
Housing	CFL 217