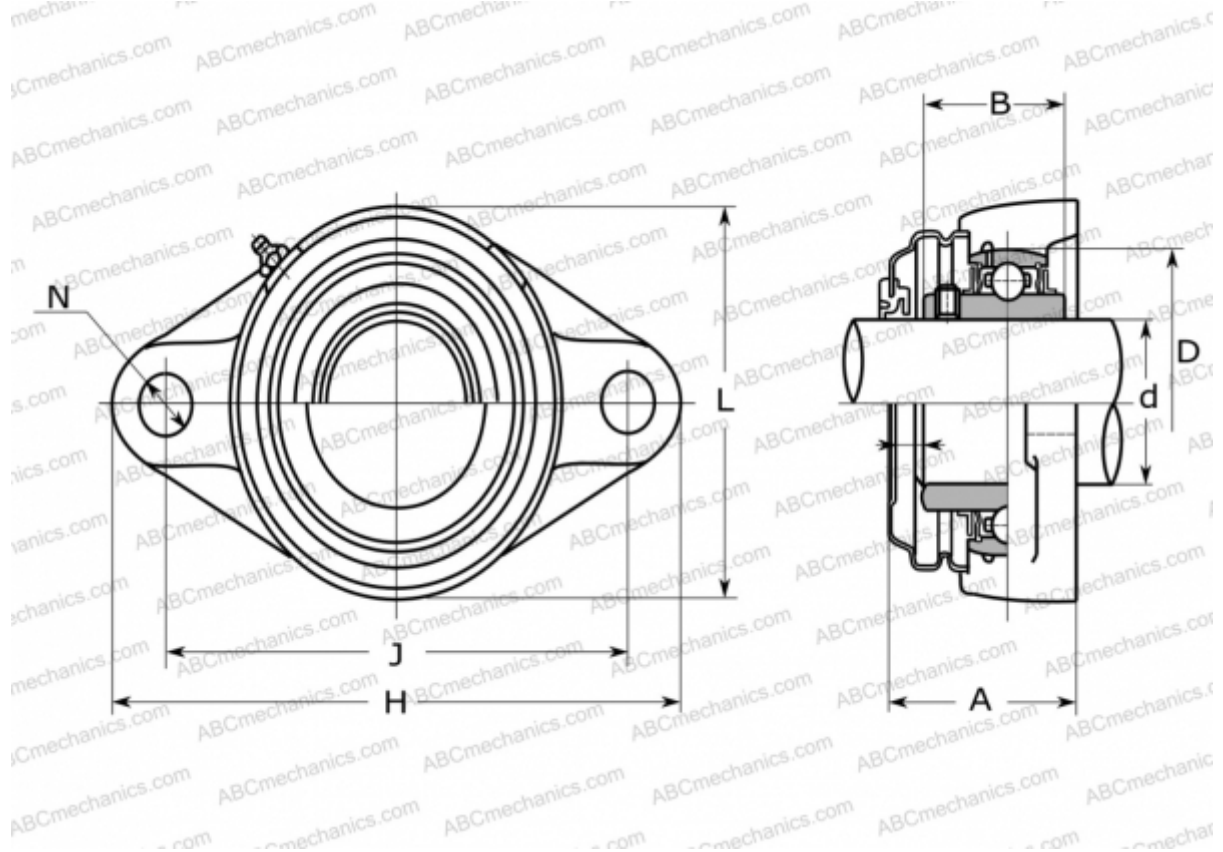


UCFL 206C ASAHI

Ball bearing units

TYPE: Housing units, Two-bolt flanged housing units, Cast iron housing, Radial insert ball bearing with grub screws in inner ring, Type UCFL..C with pressed steel covers, open cover (ASAHI)



Technical specification

DIMENSIONS, MM

d	30,000
D	62,000
B	38,100
L	80,000
H	148,000
A	49,000
J	117,000
N	16,000

MANUFACTURER

[ASAHI](http://www.asahi.com)

WEIGHT, KG

1,000

Bearing	UC 206
Housing	FL 206C