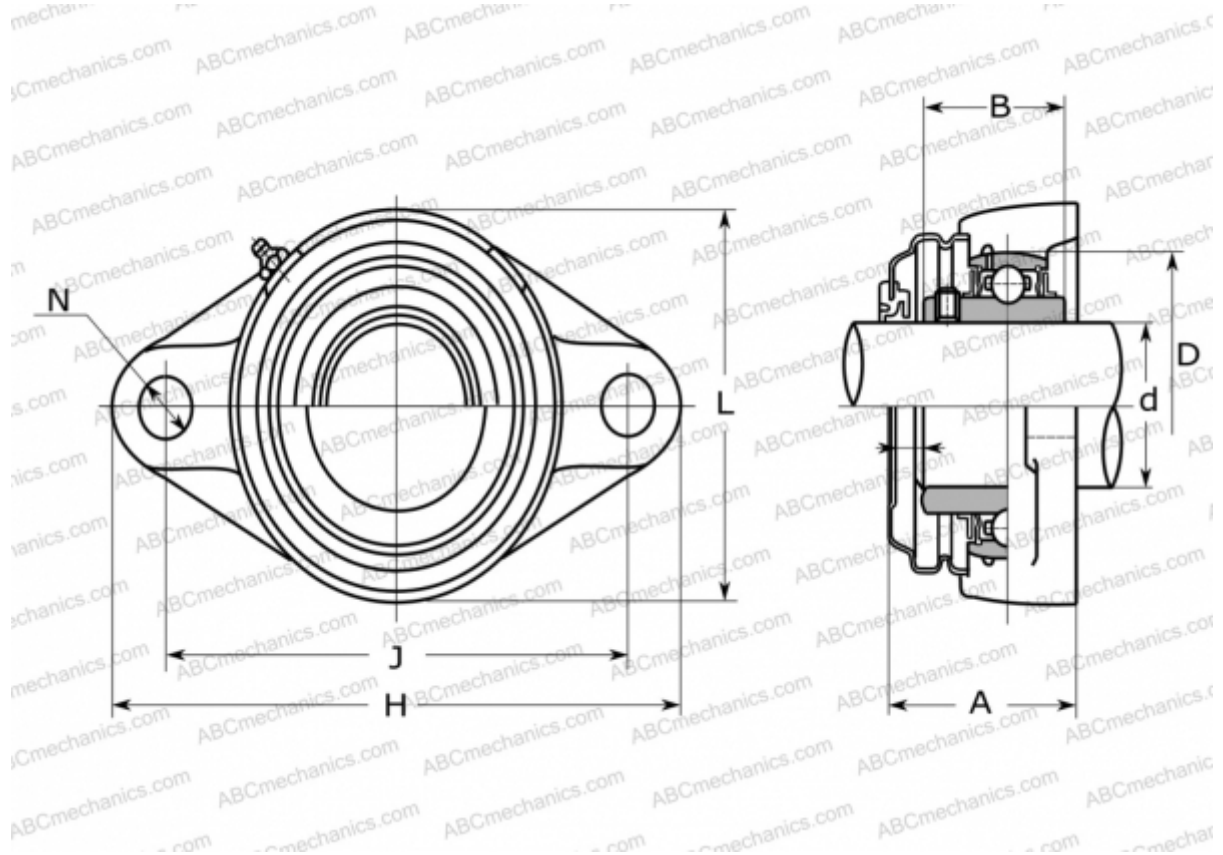


## UCFL 212E ASAHI

Ball bearing units

TYPE: Housing units, Two-bolt flanged housing units, Cast iron housing, Radial insert ball bearing with grub screws in inner ring, Type UCFL..E with pressed steel covers, closed cover (ASAHI)



### Technical specification

#### DIMENSIONS, MM

d	60,000
D	110,000
B	65,100
L	140,000
H	250,000
A	80,000
J	202,000
N	23,000

#### MANUFACTURER

[ASAHI](http://www.asahi.com)

#### WEIGHT, KG

4,300

Bearing	UC 212
Housing	FL 212C