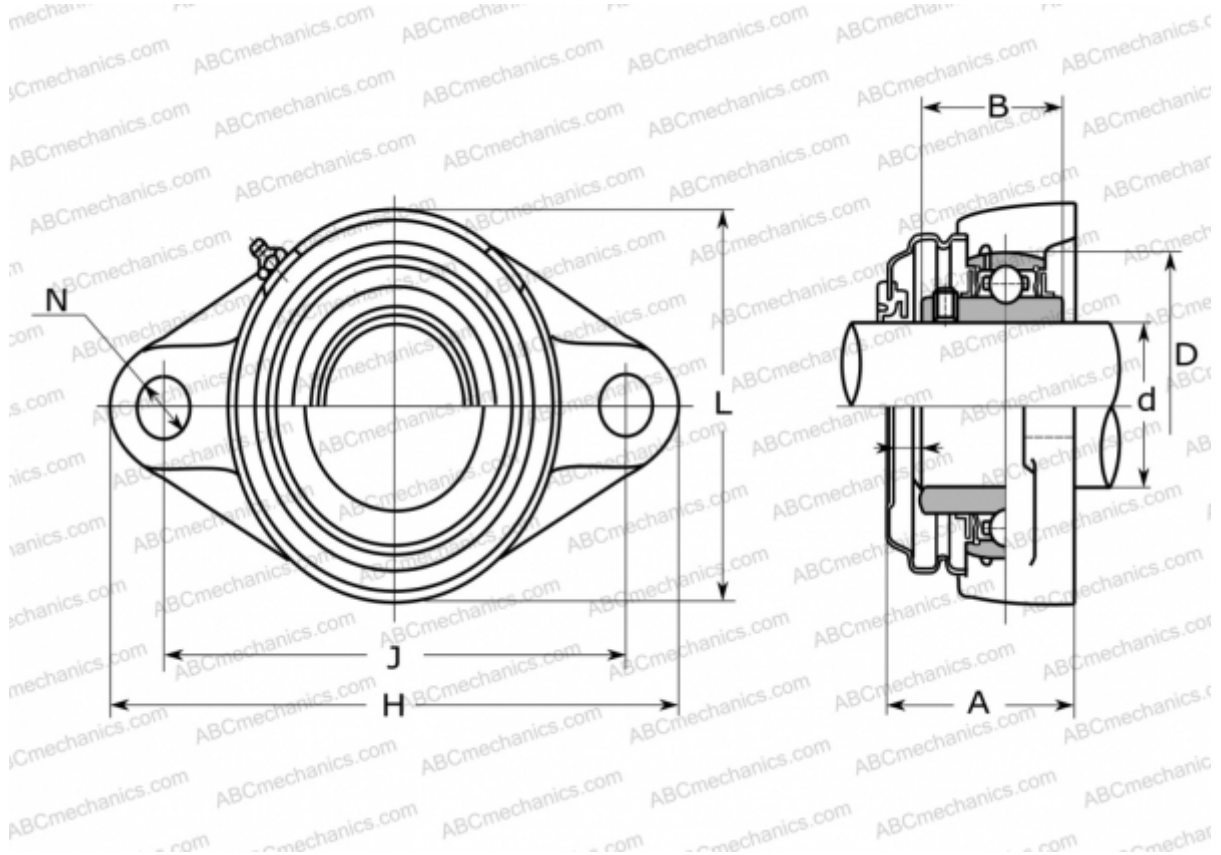


UCFL 213E ASAHI

Ball bearing units

TYPE: Housing units, Two-bolt flanged housing units, Cast iron housing, Radial insert ball bearing with grub screws in inner ring, Type UCFL..E with pressed steel covers, closed cover (ASAHI)



Technical specification

DIMENSIONS, MM

| | |
|---|---------|
| d | 65,000 |
| D | 120,000 |
| B | 65,100 |
| L | 155,000 |
| H | 258,000 |
| A | 81,000 |
| J | 210,000 |
| N | 23,000 |

MANUFACTURER

[ASAHI](http://www.asahi.com)

WEIGHT, KG

5,300

| | |
|---------|---------|
| Bearing | UC 213 |
| Housing | FL 213C |