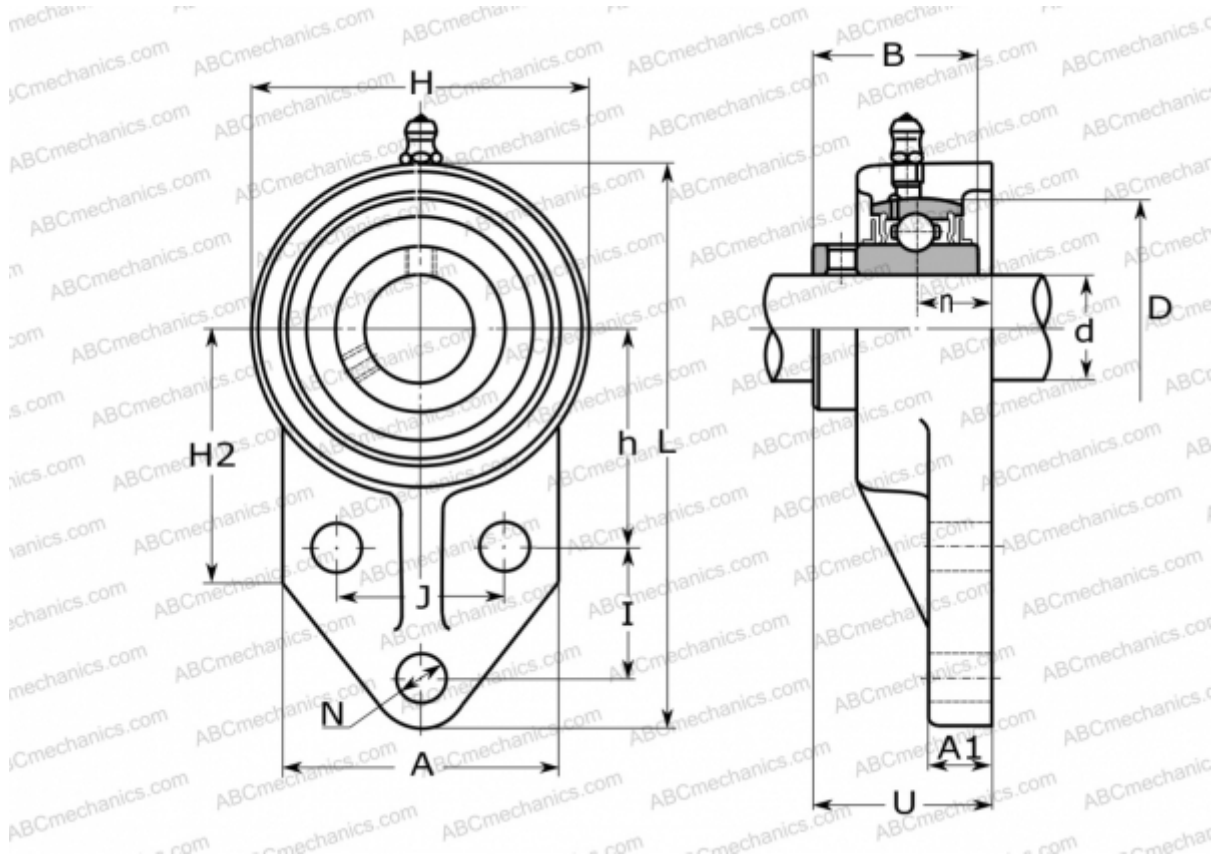


UCFK 208 ASAHI

Ball bearing units

TYPE: Housing units, Three-bolt flange bracket units, Cast iron housing, Radial insert ball bearing with grub screws in inner ring, Type UCFK (ASAHI)



Technical specification

DIMENSIONS, MM

d	40,000
D	80,000
B	49,200
L	164,000
H	100,000
A	78,000
H2	72,000
J	50,000
A1	16,000
N	12,000
U	51,200
I	41,000
h	60,000
n	21,000

WEIGHT, KG

	1,700
Bearing	UC 208
Housing	FK 208

MANUFACTURER

[ASAHI](#)