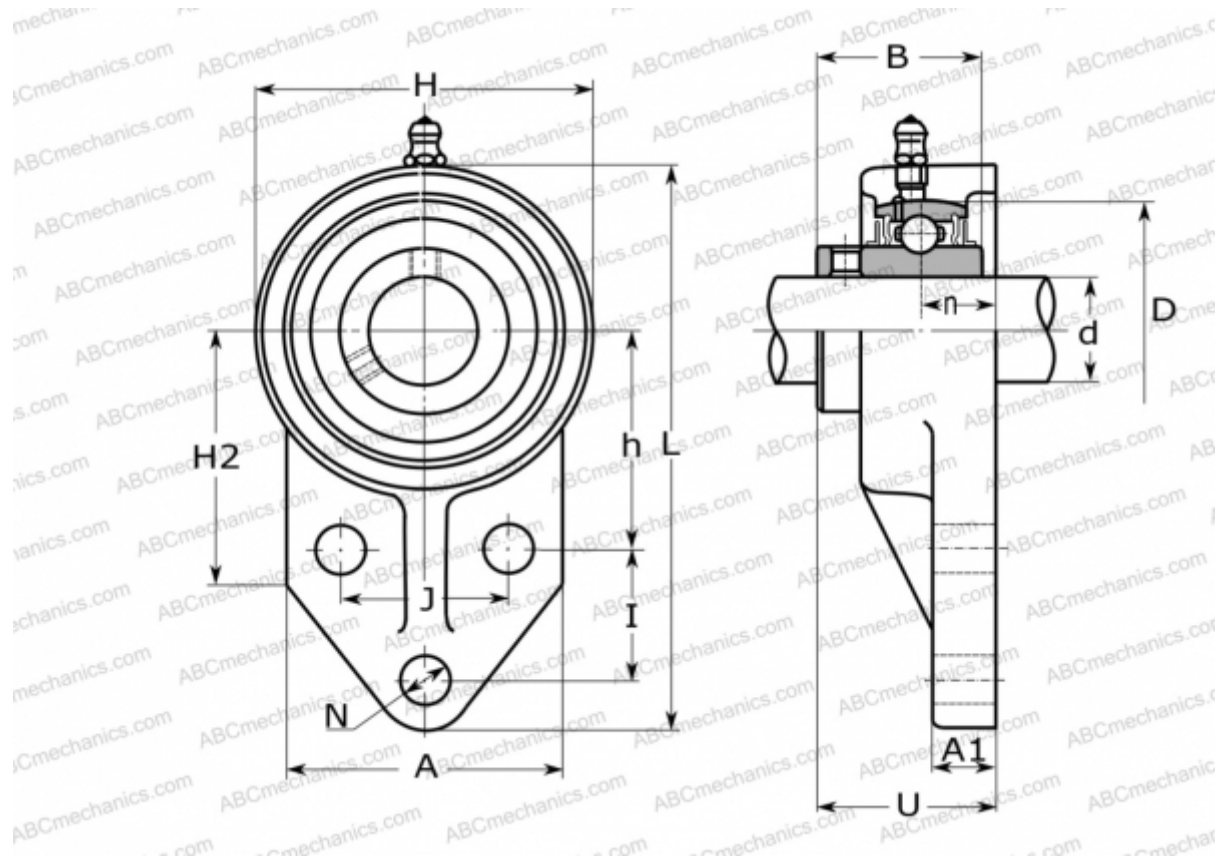


## UCFK 209 ASAHI

Ball bearing units

TYPE: Housing units, Three-bolt flange bracket units, Cast iron housing, Radial insert ball bearing with grub screws in inner ring, Type UCFK (ASAHI)



### Technical specification

#### DIMENSIONS, MM

d	45,000
D	85,000
B	49,200
L	174,000
H	106,000
A	80,000
H2	76,000
J	54,000
A1	18,000
N	12,000
U	52,200
I	43,000
h	65,000
n	22,000

#### WEIGHT, KG

	1,900
Bearing	UC 209
Housing	FK 209

#### MANUFACTURER

[ASAHI](#)