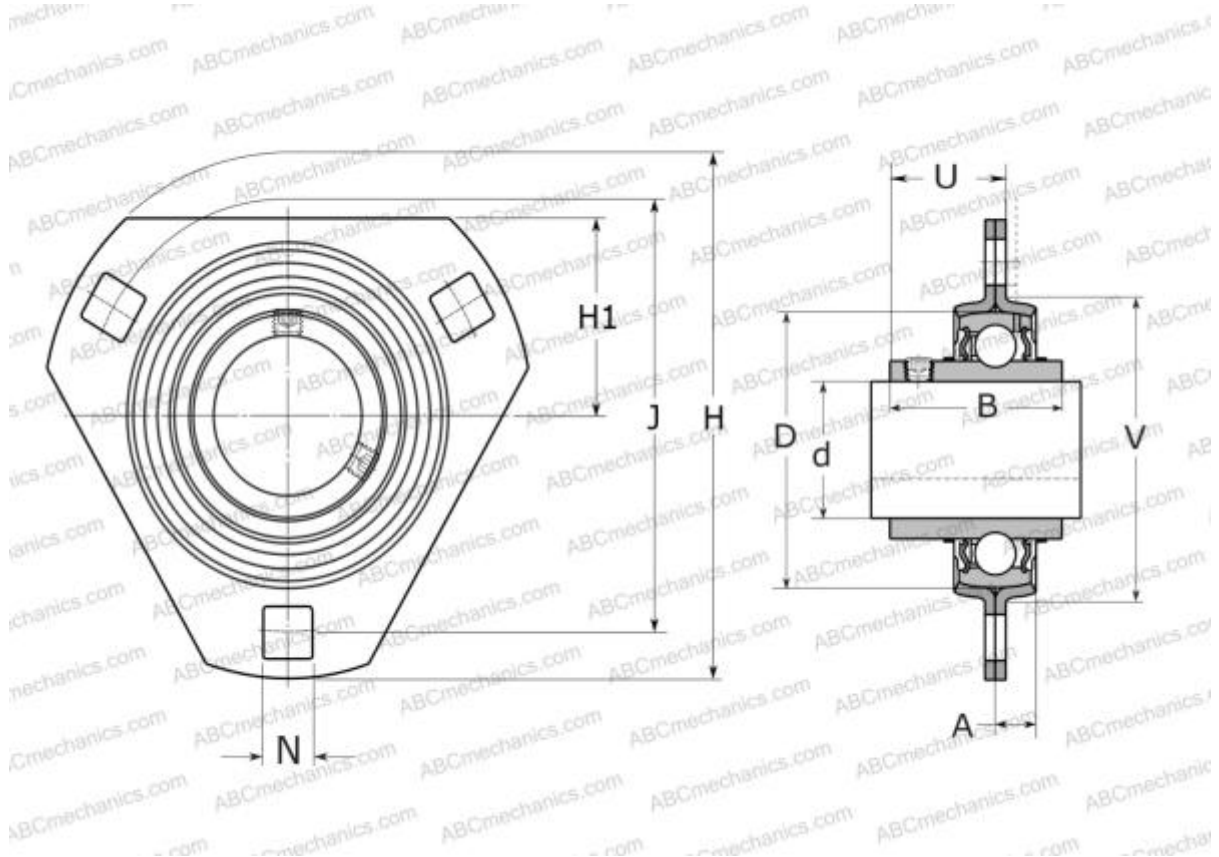


## PFD 30 TR SKF

Ball bearing units

TYPE: Housing units, Three-bolt flanged housing units, Sheet steel housing, Radial insert ball bearing with grub screws in inner ring, Type PFD..TR (SKF)



### Technical specification

#### DIMENSIONS, MM

d	30,000
D	62,000
B	38,100
H	112,000
A	9,500
J	90,500
H1	38,000
N	10,500
U	24,700
V	71,000

#### WEIGHT, KG

0,470

Bearing	YAR 206-2RF
Housing	PFD 62

#### MANUFACTURER

[SKF](#)

#### CALCULATION DATA

Basic dynamic load rating, C	19,500 kN
Basic static load rating, Co	11,200 kN
Fatigue load limit, Pu	0,475 kN