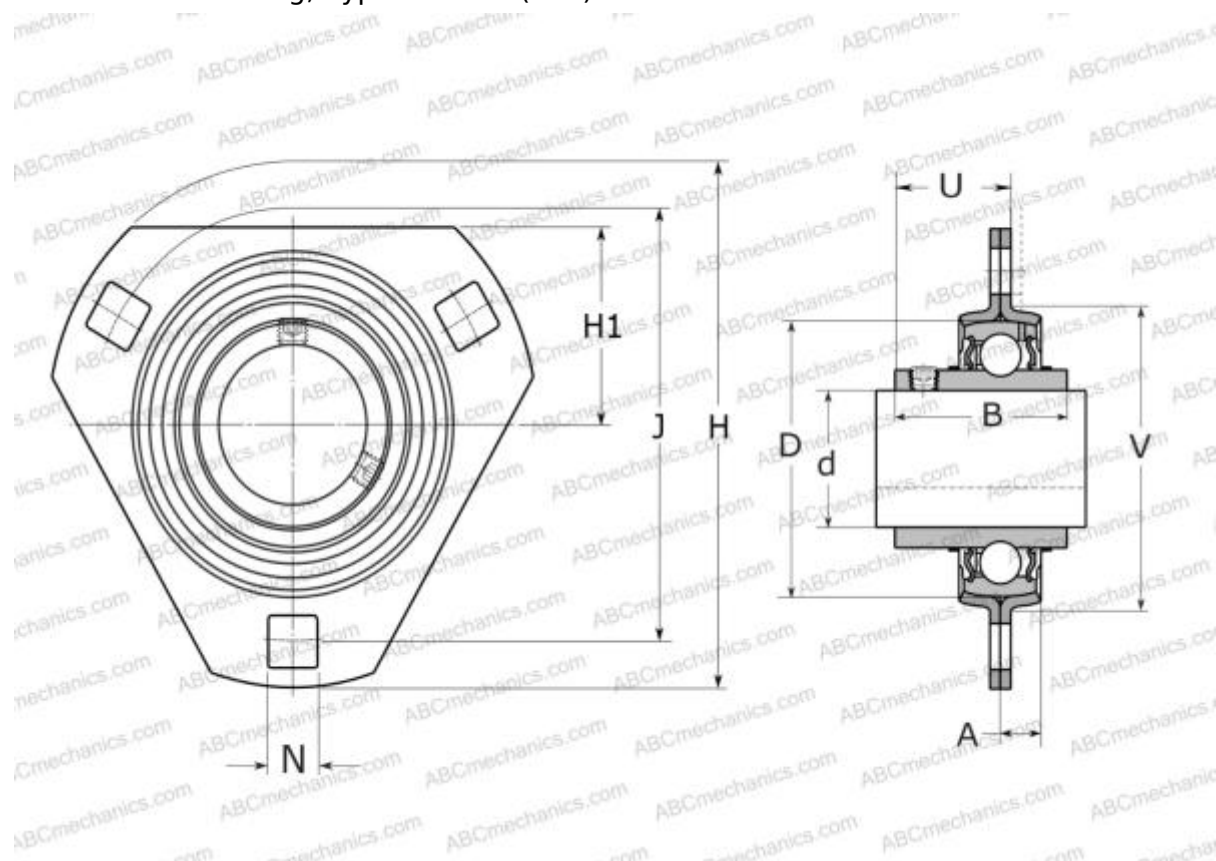


## PFD 35 TR SKF

Ball bearing units

TYPE: Housing units, Three-bolt flanged housing units, Sheet steel housing, Radial insert ball bearing with grub screws in inner ring, Type PFD..TR (SKF)



### Technical specification

#### DIMENSIONS, MM

d	35,000
D	72,000
B	42,900
H	122,000
A	10,000
J	100,000
H1	45,000
N	11,000
U	27,900
V	81,000

**WEIGHT, KG** 0,640

Bearing	YAR 207-2RF
Housing	PFD 72

#### MANUFACTURER

[SKF](#)

#### CALCULATION DATA

Basic dynamic load rating, C	25,500 kN
Basic static load rating, Co	15,300 kN
Fatigue load limit, Pu	0,655 kN