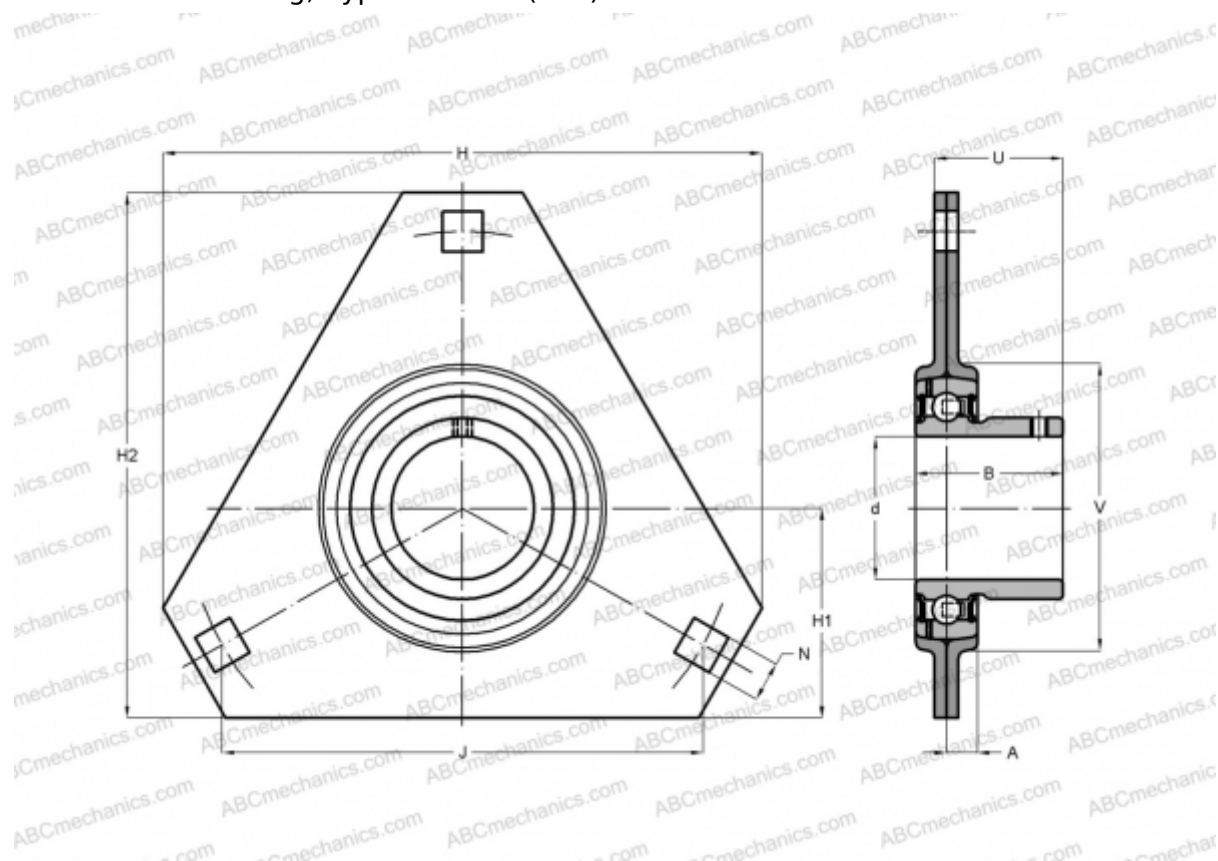


## PFD 20 RM SKF

Ball bearing units

TYPE: Housing units, Three-bolt flanged housing units, Sheet steel housing, Radial insert ball bearing with grub screws in inner ring, Type PFD..RM (SKF)



### Technical specification

#### DIMENSIONS, MM

d	20,000
D	47,000
B	25,500
H	91,000
A	8,000
J	71,500
H1	32,000
N	8,700
U	20,300
V	55,000

#### WEIGHT, KG

0,230

Bearing	YAT 204
Housing	PFD 47

#### MANUFACTURER

[SKF](#)

#### CALCULATION DATA

Basic dynamic load rating, C	12,700 kN
Basic static load rating, Co	6,550 kN
Fatigue load limit, Pu	0,280 kN