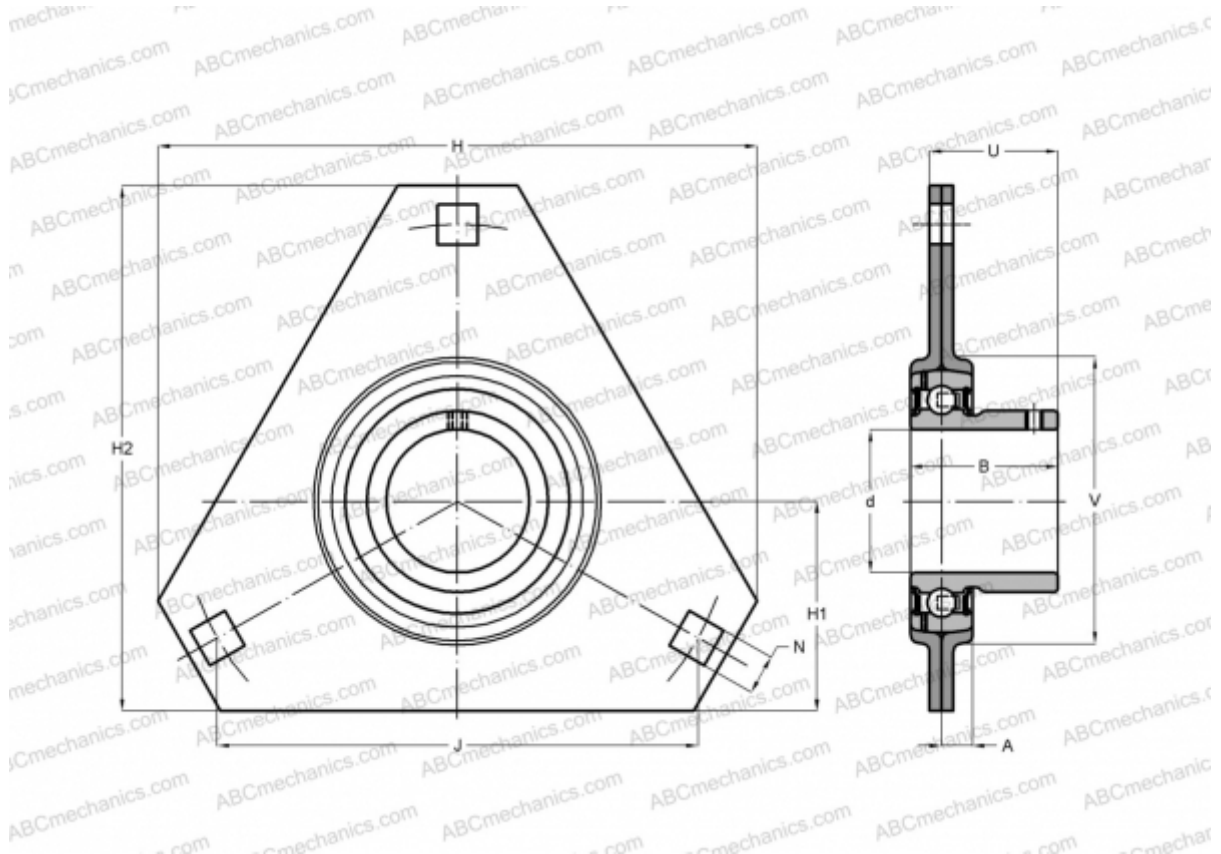


PFD 30 RM SKF

Ball bearing units

TYPE: Housing units, Three-bolt flanged housing units, Sheet steel housing, Radial insert ball bearing with grub screws in inner ring, Type PFD..RM (SKF)



Technical specification

DIMENSIONS, MM

| | |
|----|---------|
| d | 30,000 |
| D | 62,000 |
| B | 30,200 |
| H | 112,000 |
| A | 9,500 |
| J | 90,500 |
| H1 | 38,000 |
| N | 10,500 |
| U | 23,500 |
| V | 71,000 |

WEIGHT, KG

0,420

| | |
|---------|---------|
| Bearing | YAT 206 |
| Housing | PFD 62 |

MANUFACTURER

[SKF](#)

CALCULATION DATA

| | |
|------------------------------|-----------|
| Basic dynamic load rating, C | 19,500 kN |
| Basic static load rating, Co | 11,200 kN |
| Fatigue load limit, Pu | 0,475 kN |