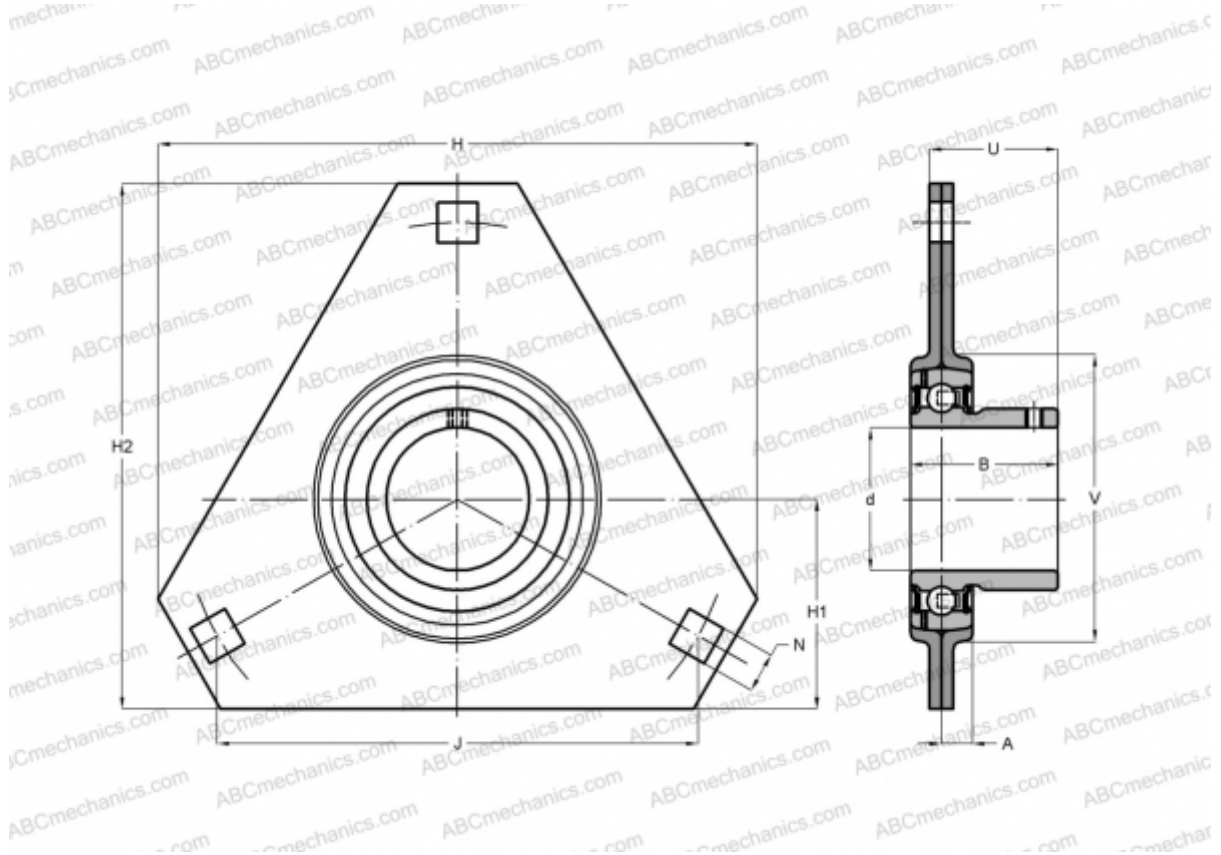


PFD 35 RM SKF

Ball bearing units

TYPE: Housing units, Three-bolt flanged housing units, Sheet steel housing, Radial insert ball bearing with grub screws in inner ring, Type PFD..RM (SKF)



Technical specification

DIMENSIONS, MM

d	35,000
D	72,000
B	33,000
H	122,000
A	10,000
J	100,000
H1	45,000
N	11,000
U	25,800
V	81,000

WEIGHT, KG

0,540

Bearing	YAT 207
Housing	PFD 72

MANUFACTURER

[SKF](#)

CALCULATION DATA

Basic dynamic load rating, C	25,500 kN
Basic static load rating, Co	15,300 kN
Fatigue load limit, Pu	0,655 kN