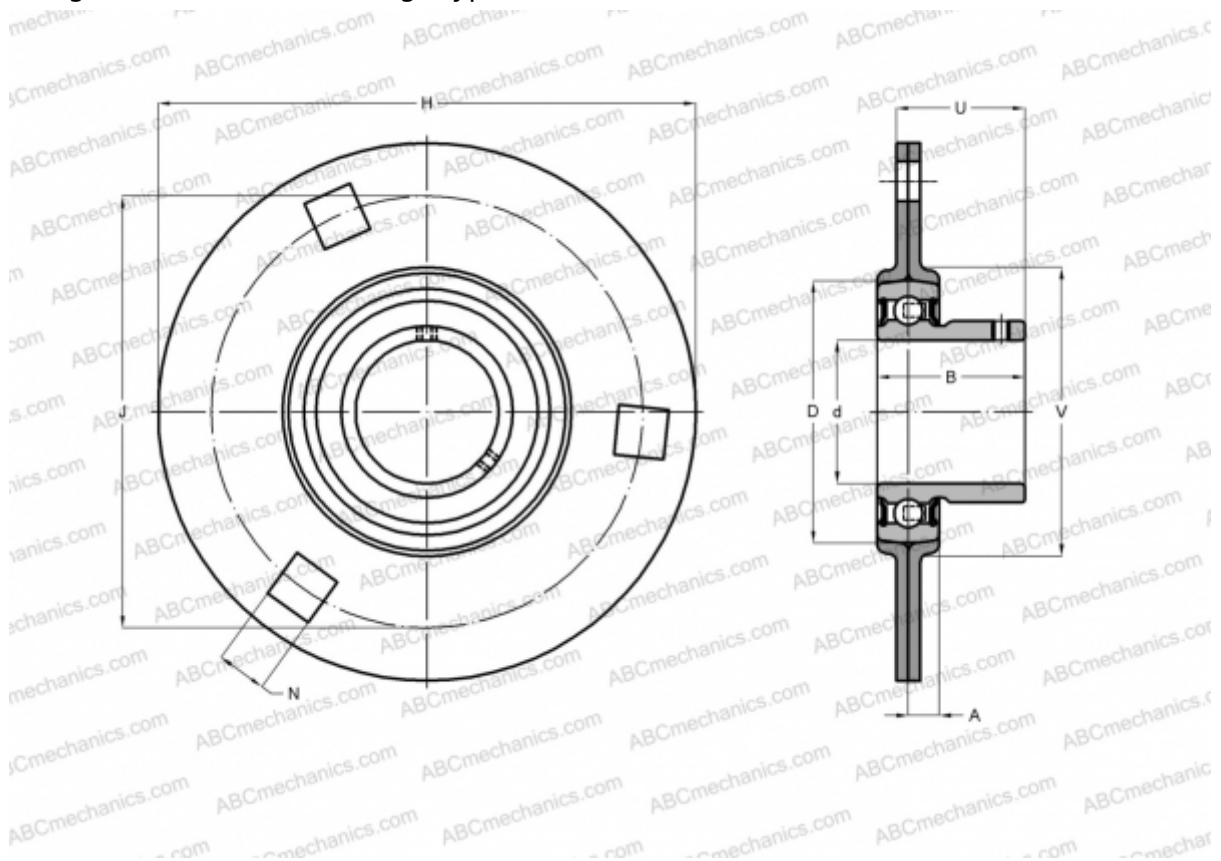


## PF 30 TF SKF

Ball bearing units

TYPE: Housing units, Three/four-bolt flanged housing units, Sheet steel housing, Radial insert ball bearing with grub screws in inner ring, Type PF..TF (SKF)



### Technical specification

#### DIMENSIONS, MM

d	30,000
D	62,000
B	38,100
H	112,000
A	9,500
J	90,500
N	10,500
U	24,700
V	71,000

**WEIGHT, KG** 0,580

Bearing	YAR 206-2F
Housing	PF 62

#### MANUFACTURER

[SKF](#)

#### CALCULATION DATA

Basic dynamic load rating, C	19,500 kN
Basic static load rating, Co	11,200 kN
Fatigue load limit, Pu	0,475 kN