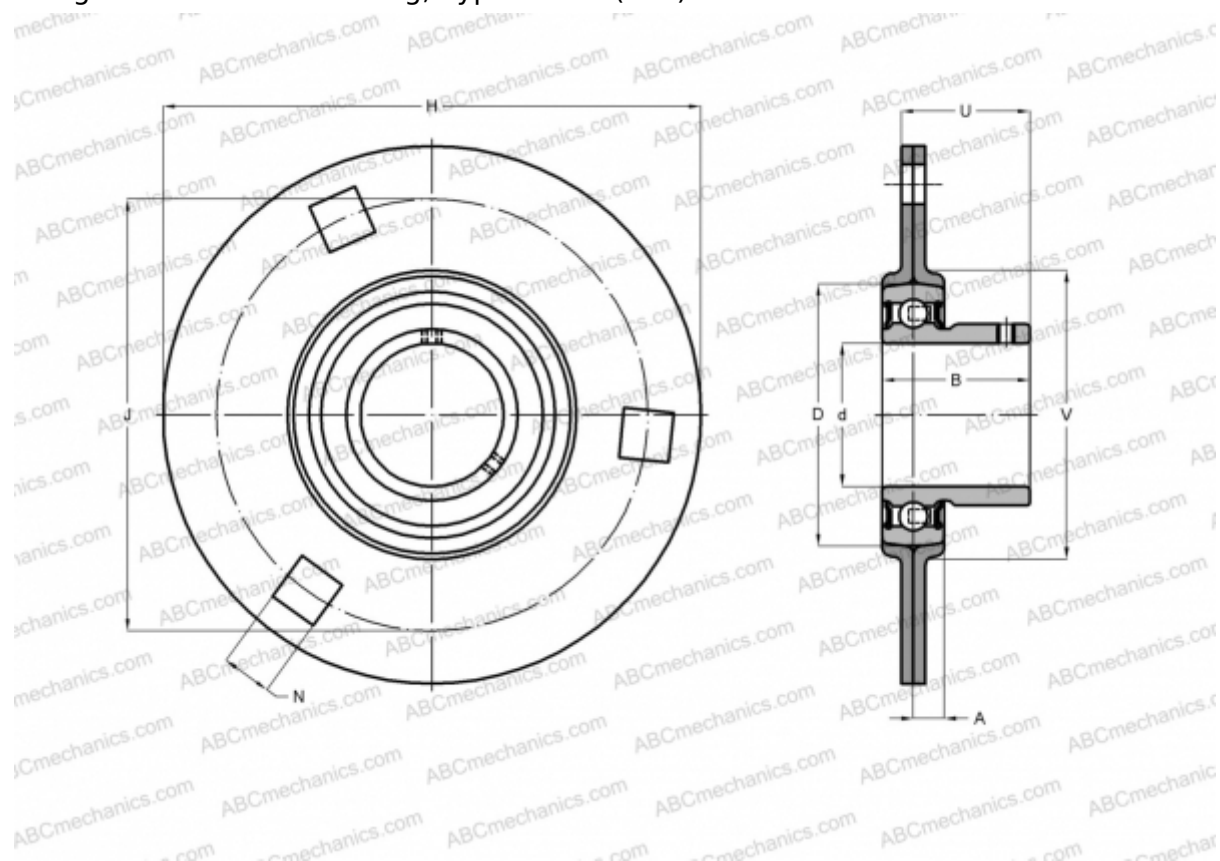


## PF 50 TR SKF

Ball bearing units

TYPE: Housing units, Three/four-bolt flanged housing units, Sheet steel housing, Radial insert ball bearing with grub screws in inner ring, Type PF..TR (SKF)



### Technical specification

#### DIMENSIONS, MM

d	50,000
D	90,000
B	51,600
H	155,000
A	11,000
J	127,000
N	13,500
U	36,600
V	102,000

**WEIGHT, KG** 1,550

Bearing	YAR 210-2RF
Housing	PF 90

#### MANUFACTURER

[SKF](#)

#### CALCULATION DATA

Basic dynamic load rating, C	35,100 kN
Basic static load rating, Co	23,200 kN
Fatigue load limit, Pu	0,980 kN