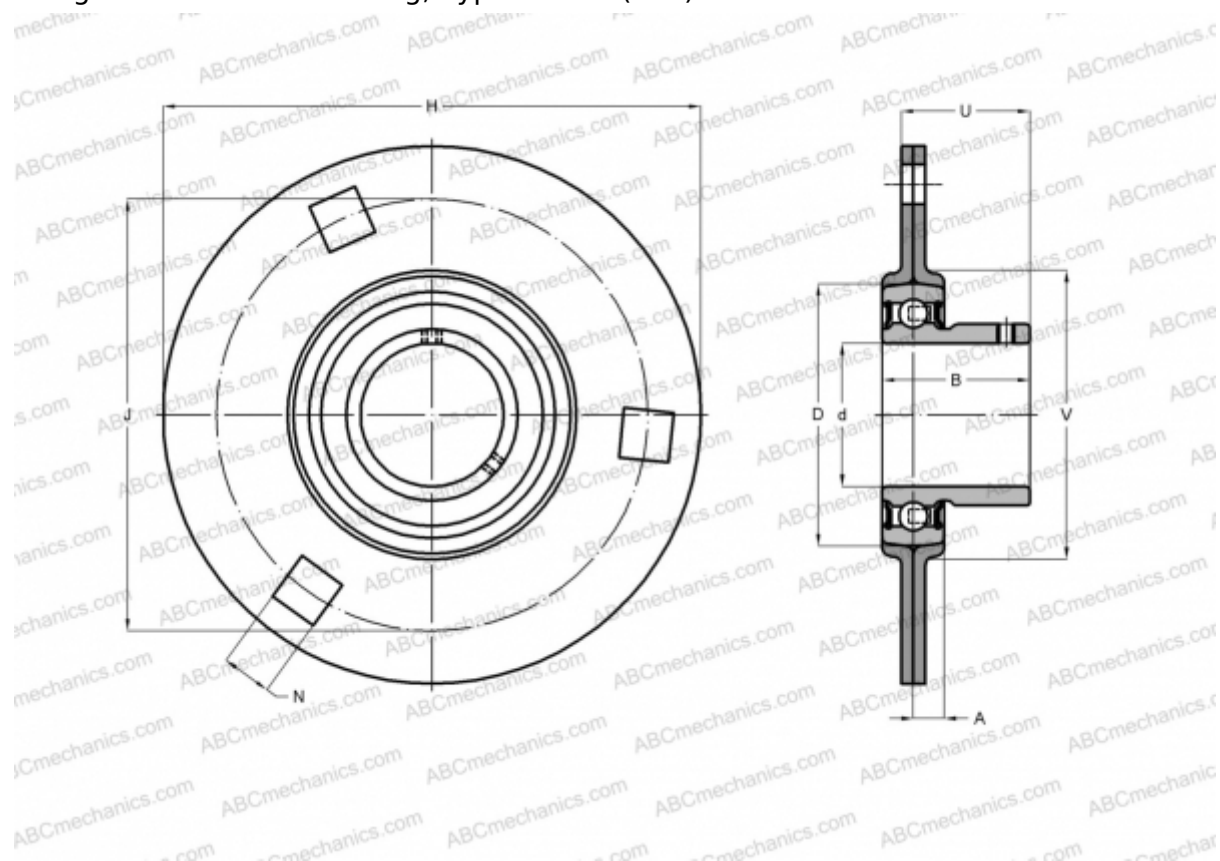


PF 50 RM SKF

Ball bearing units

TYPE: Housing units, Three/four-bolt flanged housing units, Sheet steel housing, Radial insert ball bearing with grub screws in inner ring, Type PF..RM (SKF)



Technical specification

DIMENSIONS, MM

d	50,000
D	90,000
B	38,900
H	155,000
A	11,000
J	127,000
N	13,500
U	31,600
V	102,000

WEIGHT, KG

Bearing	YAT 210
Housing	PF 90

MANUFACTURER

[SKF](#)

CALCULATION DATA

Basic dynamic load rating, C	35,100 kN
Basic static load rating, Co	23,200 kN
Fatigue load limit, Pu	0,980 kN