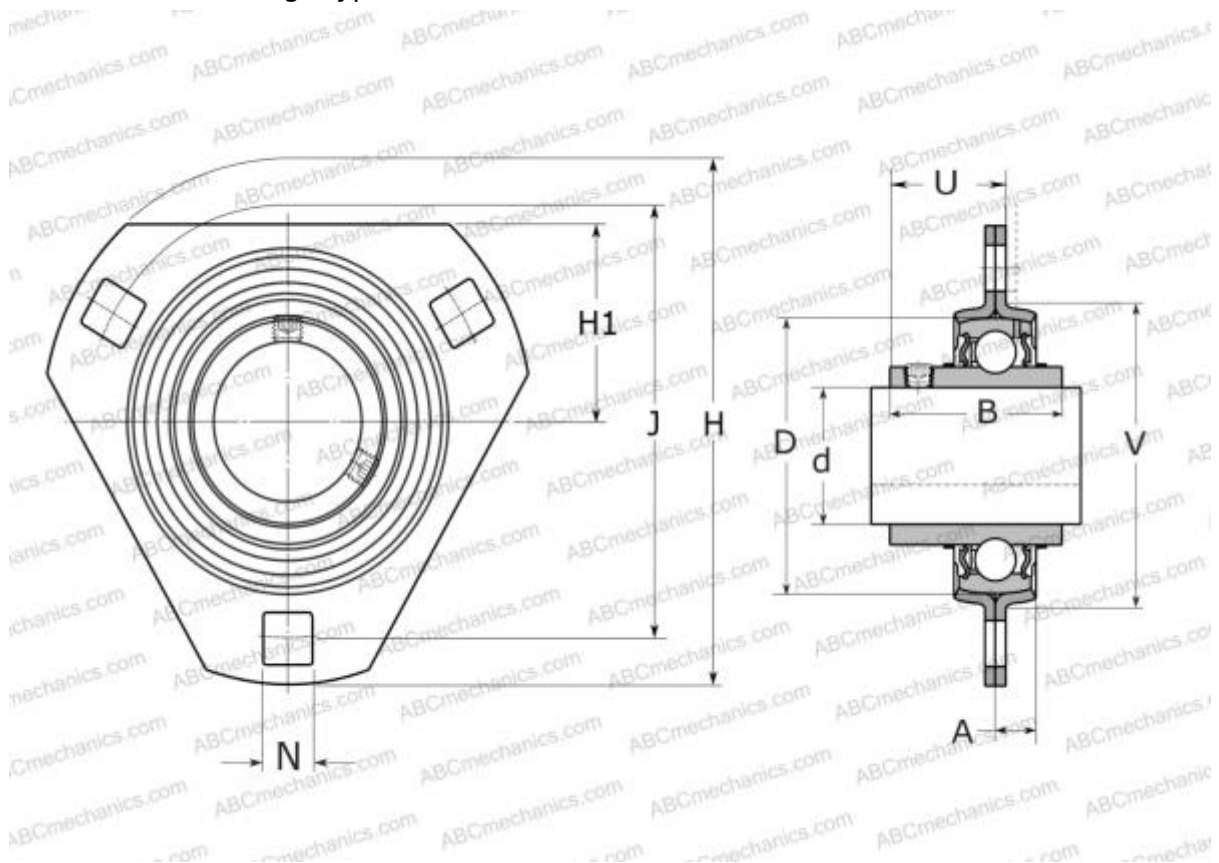


## PFD 3/4 TR SKF

Ball bearing units

TYPE: Housing units, Three-bolt flanged housing units, Sheet steel housing, Radial insert ball bearing with grub screws in inner ring, Type PFD..TR (SKF), inch



### Technical specification

#### DIMENSIONS, MM

d	19,050
D	47,000
B	31,000
H	91,000
A	8,000
J	71,500
H1	32,000
N	8,700
U	20,300
V	55,000

**WEIGHT, KG** 0,240

Bearing	YAR 204-012-
Housing	PFD 47

#### MANUFACTURER

[SKF](#)

#### CALCULATION DATA

Basic dynamic load rating, C	12,700 kN
Basic static load rating, Co	6,550 kN
Fatigue load limit, Pu	0,280 kN