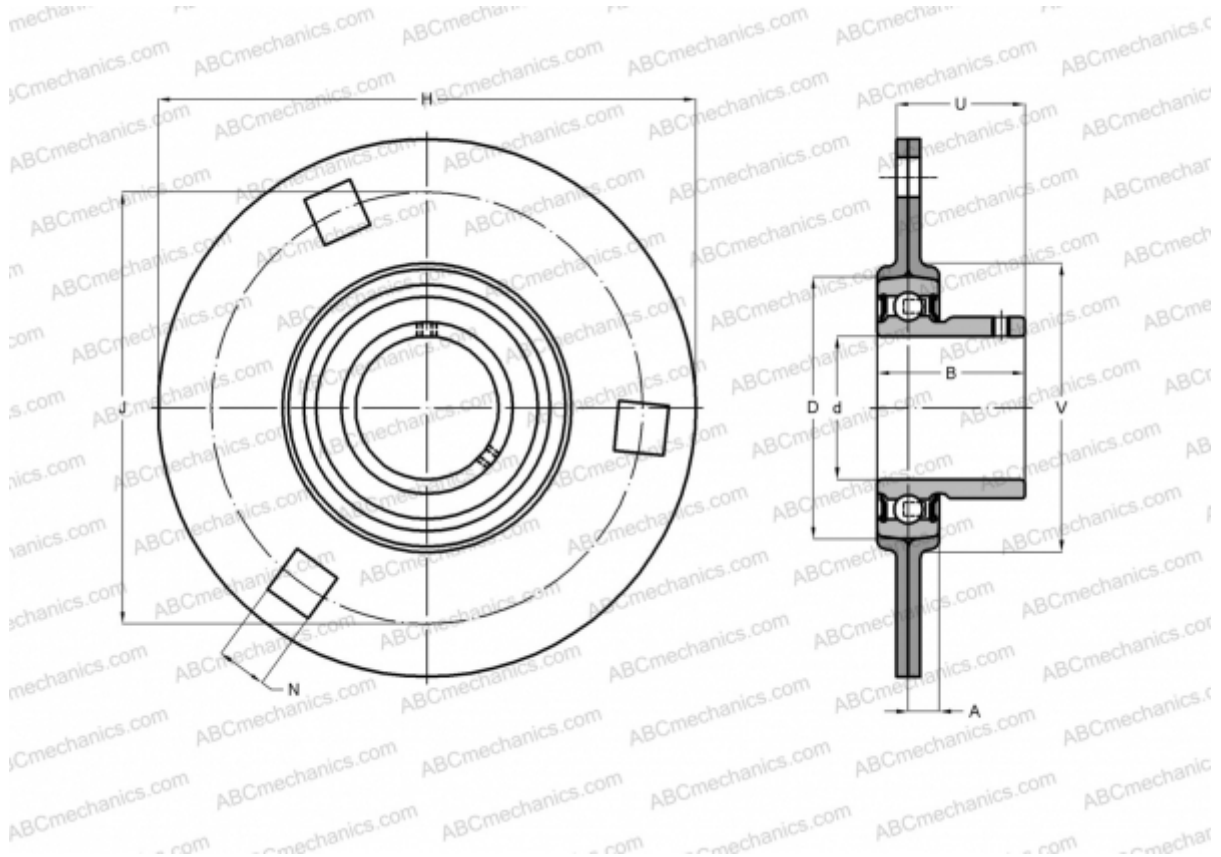


## PF 3/4 TF SKF

Ball bearing units

TYPE: Housing units, Three/quarter-bolt flanged housing units, Sheet steel housing, Radial insert ball bearing with grub screws in inner ring, Type PF..TF (SKF), inch



### Technical specification

#### DIMENSIONS, MM

|   |        |
|---|--------|
| d | 19,050 |
| D | 47,000 |
| B | 31,000 |
| H | 91,000 |
| A | 8,000  |
| J | 71,500 |
| N | 8,700  |
| U | 20,300 |
| V | 55,000 |

**WEIGHT, KG** 0,300

|         |              |
|---------|--------------|
| Bearing | YAR 204-012- |
| Housing | PF 47        |

#### MANUFACTURER

[SKF](#)

#### CALCULATION DATA

|                              |           |
|------------------------------|-----------|
| Basic dynamic load rating, C | 12,700 kN |
| Basic static load rating, Co | 6,550 kN  |
| Fatigue load limit, Pu       | 0,280 kN  |