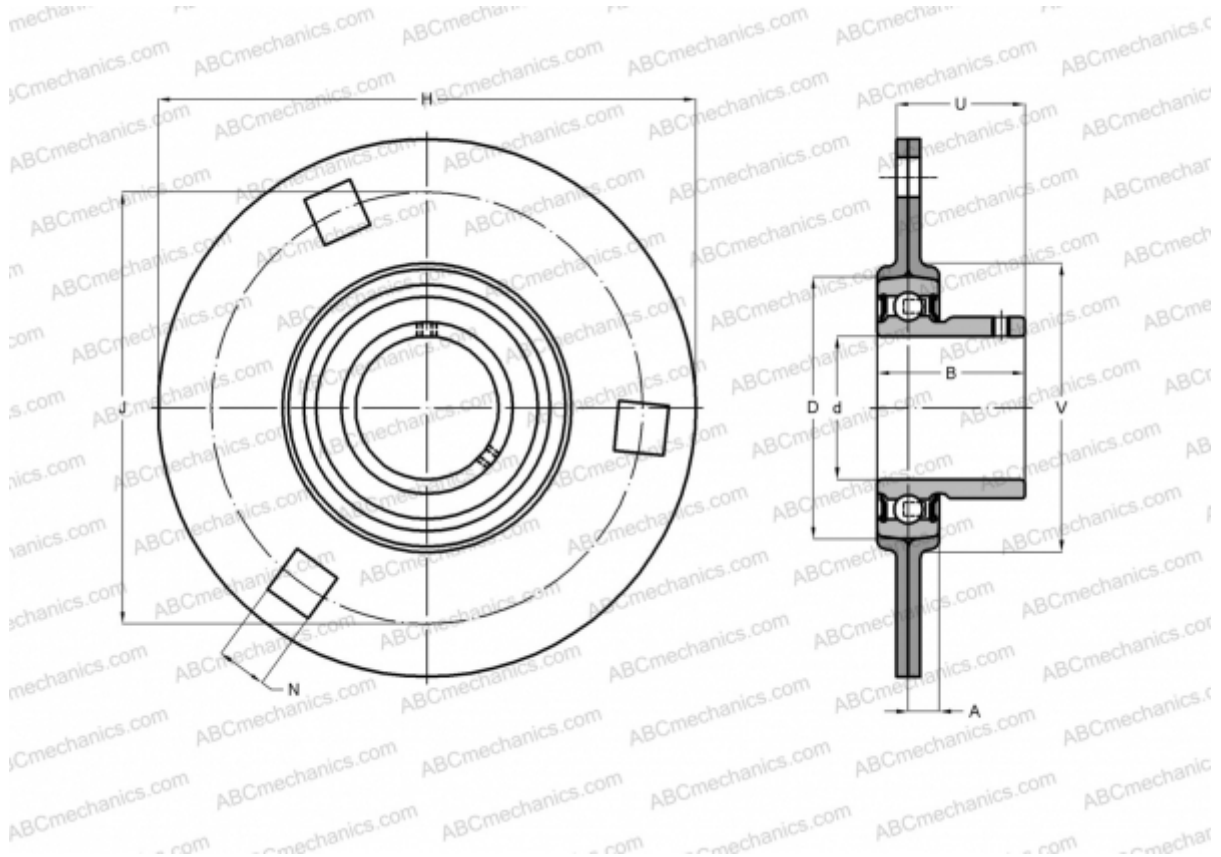


PF 1.1/4 TF SKF

Ball bearing units

TYPE: Housing units, Three/four-bolt flanged housing units, Sheet steel housing, Radial insert ball bearing with grub screws in inner ring, Type PF..TF (SKF), inch



Technical specification

DIMENSIONS, MM

d	31,750
D	72,000
B	42,900
H	122,000
A	10,000
J	100,000
N	11,000
U	27,900
V	81,000

WEIGHT, KG 0,830

Bearing	YAR 207-104-
Housing	PF 72

MANUFACTURER

[SKF](#)

CALCULATION DATA

Basic dynamic load rating, C	25,500 kN
Basic static load rating, Co	15,300 kN
Fatigue load limit, Pu	0,655 kN