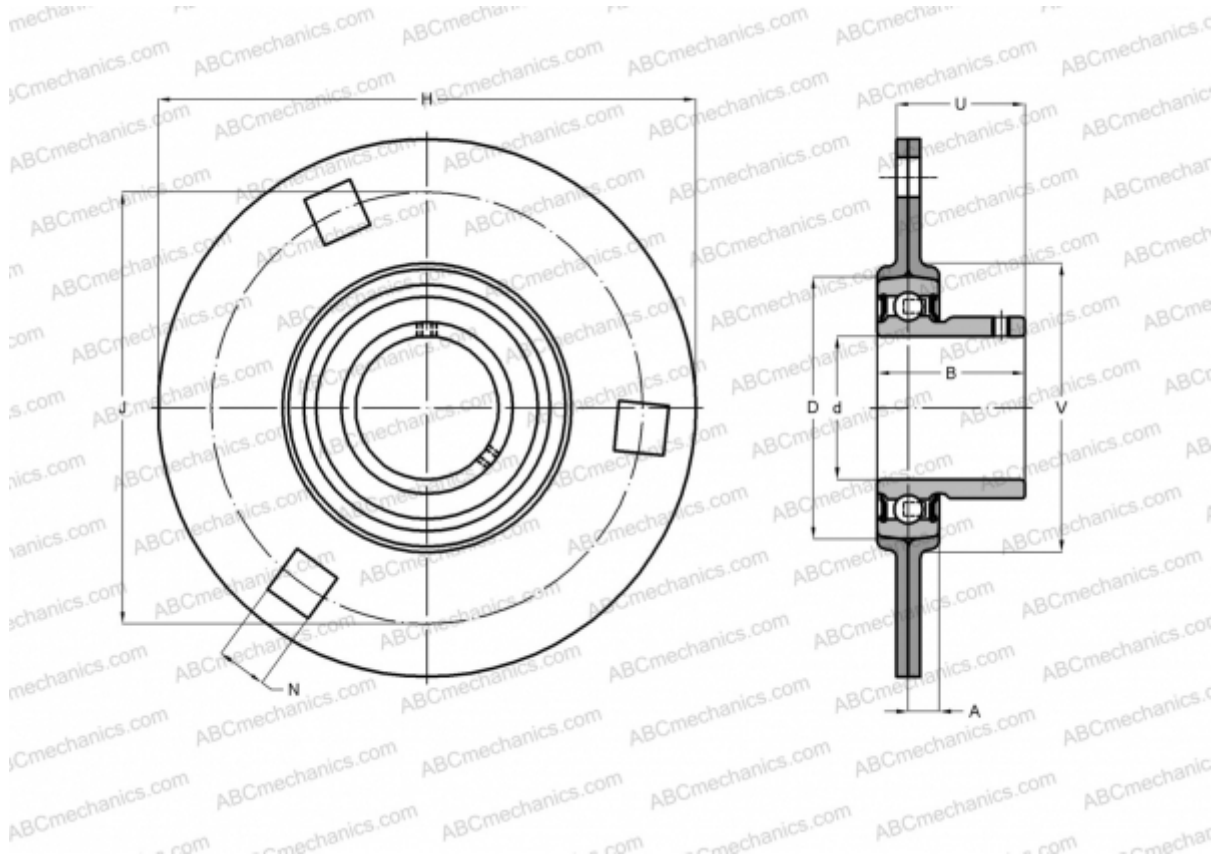


## PF 1.1/2 TF SKF

Ball bearing units

TYPE: Housing units, Three/four-bolt flanged housing units, Sheet steel housing, Radial insert ball bearing with grub screws in inner ring, Type PF..TF (SKF), inch



### Technical specification

#### DIMENSIONS, MM

d	38,100
D	80,000
B	49,200
H	148,000
A	10,000
J	119,000
N	13,500
U	33,700
V	91,000

**WEIGHT, KG** 0,810

Bearing	YAR 208-108-
Housing	PF 80

#### MANUFACTURER

[SKF](#)

#### CALCULATION DATA

Basic dynamic load rating, C	30,700 kN
Basic static load rating, Co	19,000 kN
Fatigue load limit, Pu	0,800 kN