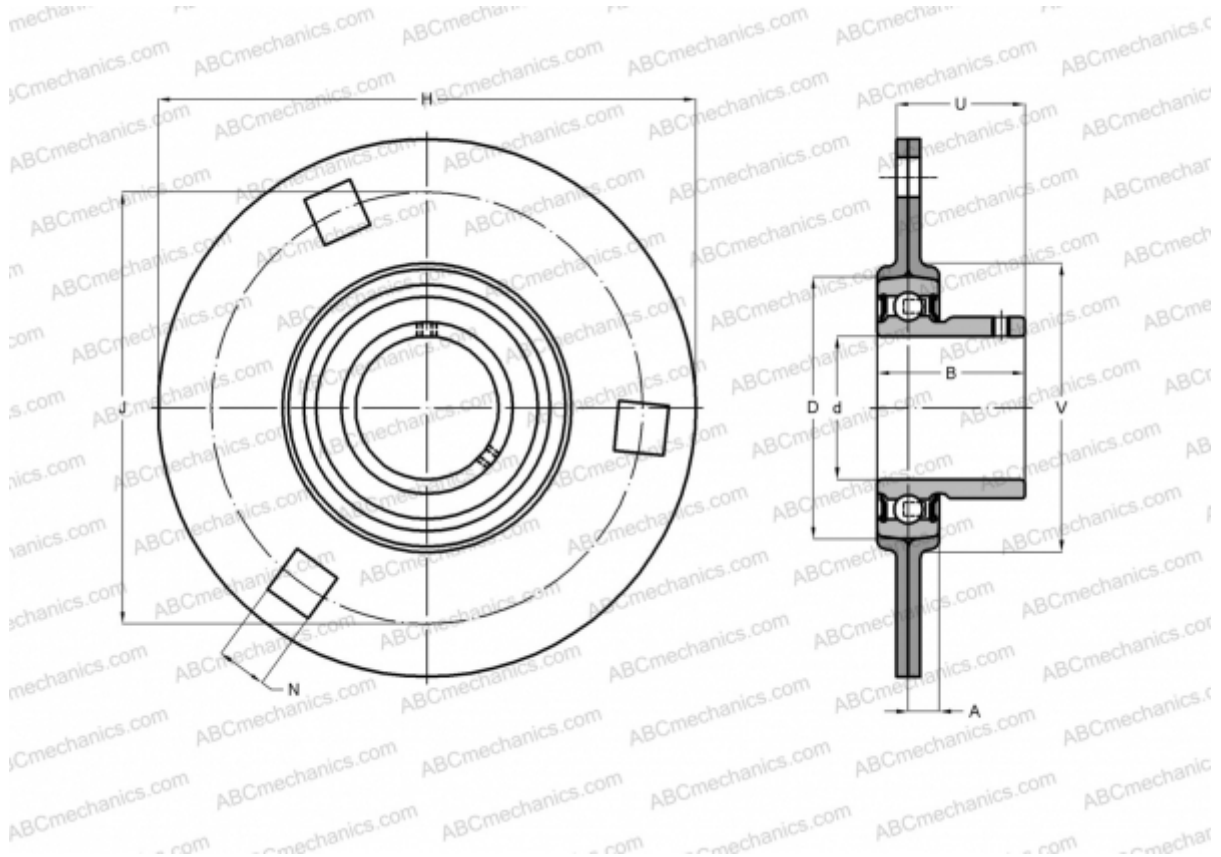


## PF 1.1/4 TR SKF

Ball bearing units

TYPE: Housing units, Three/four-bolt flanged housing units, Sheet steel housing, Radial insert ball bearing with grub screws in inner ring, Type PF..TR (SKF), inch



### Technical specification

#### DIMENSIONS, MM

d	31,750
D	72,000
B	42,900
H	122,000
A	10,000
J	100,000
N	11,000
U	27,900
V	81,000

**WEIGHT, KG** 0,830

Bearing	YAR 207-104-
Housing	PF 72

#### MANUFACTURER

[SKF](#)

#### CALCULATION DATA

Basic dynamic load rating, C	25,500 kN
Basic static load rating, Co	15,300 kN
Fatigue load limit, Pu	0,655 kN