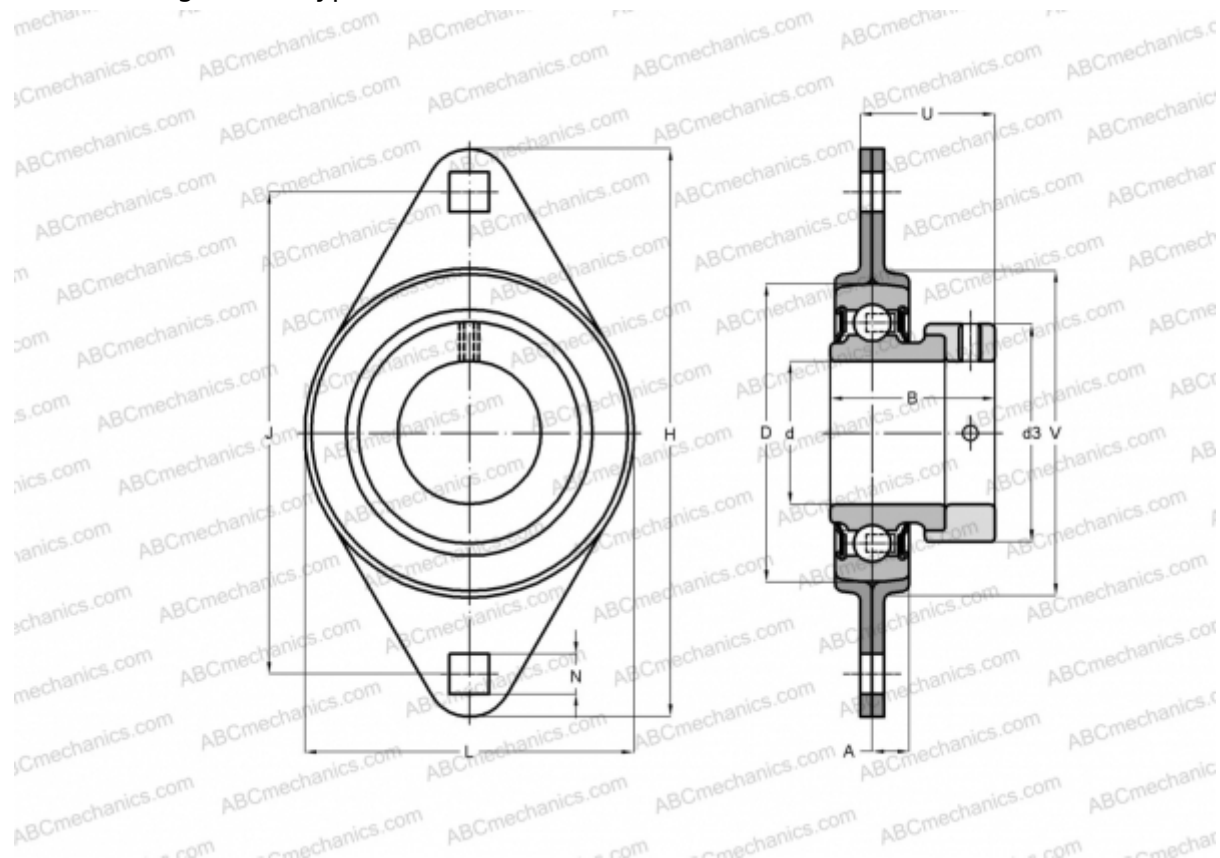


## PFT 40 FM SKF

Ball bearing units

TYPE: Housing units, Two-bolt flanged housing units, Sheet steel housing, Radial insert ball bearing with eccentric locking collar, Type PFT..FM (SKF)



### Technical specification

#### DIMENSIONS, MM

d	40,000
D	80,000
B	43,700
L	104,000
H	148,000
A	10,000
J	119,000
N	13,500
d3	56,500
U	36,200
V	91,000

**WEIGHT, KG** 0,940

Bearing YET 208

Housing PFT 80

**MANUFACTURER** [SKF](#)

#### CALCULATION DATA

Basic dynamic load rating, C	30,700 kN
Basic static load rating, Co	19,000 kN
Fatigue load limit, Pu	0,800 kN