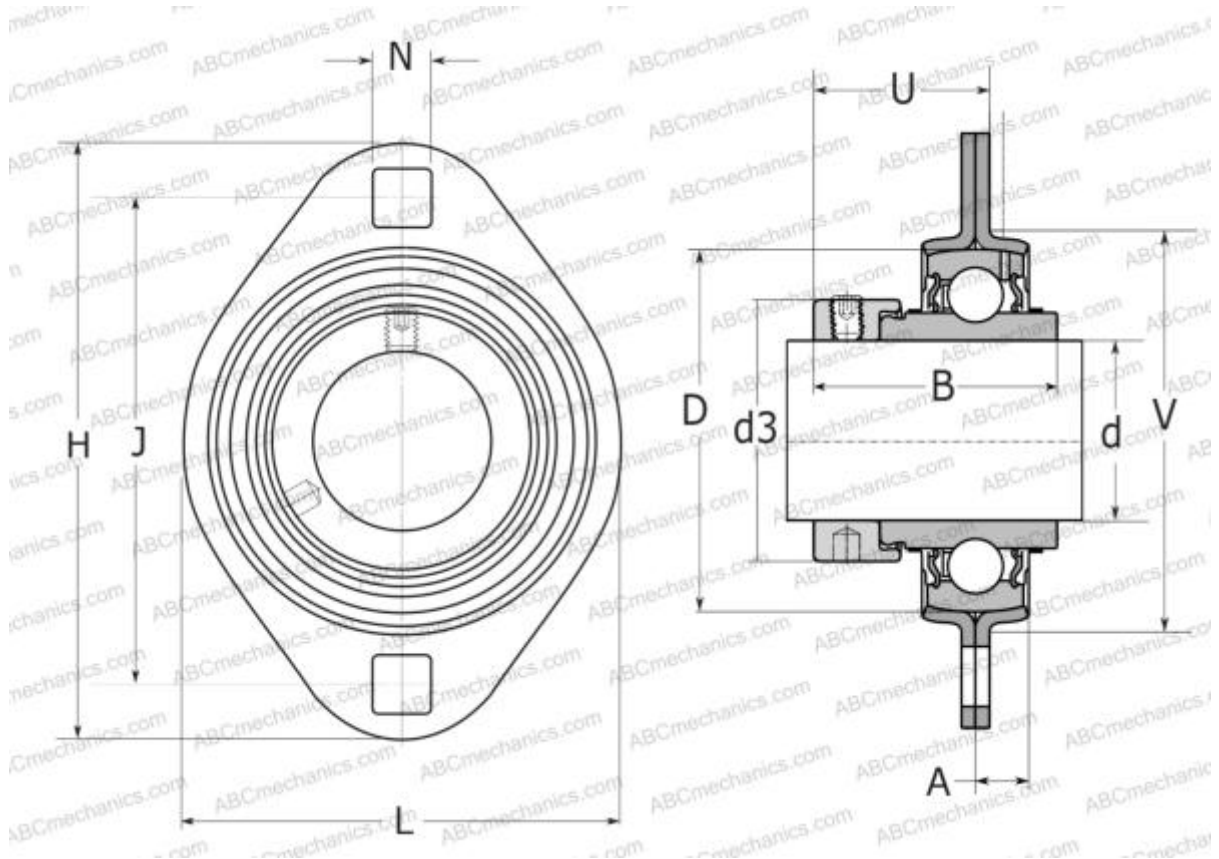


## PFT 20 WF SKF

Ball bearing units

TYPE: Housing units, Two-bolt flanged housing units, Sheet steel housing, Radial insert ball bearing with eccentric locking collar, Type PFT..WF (SKF)



### Technical specification

#### DIMENSIONS, MM

d	20,000
D	47,000
B	43,400
L	67,000
H	91,000
A	8,000
J	71,500
N	8,700
d3	32,400
U	28,600
V	55,000

**WEIGHT, KG** 0,280

Bearing YEL 204-2F

Housing

PFT 47

#### MANUFACTURER

[SKF](#)

#### CALCULATION DATA

Basic dynamic load rating, C	12,700 kN
Basic static load rating, Co	6,550 kN
Fatigue load limit, Pu	0,280 kN