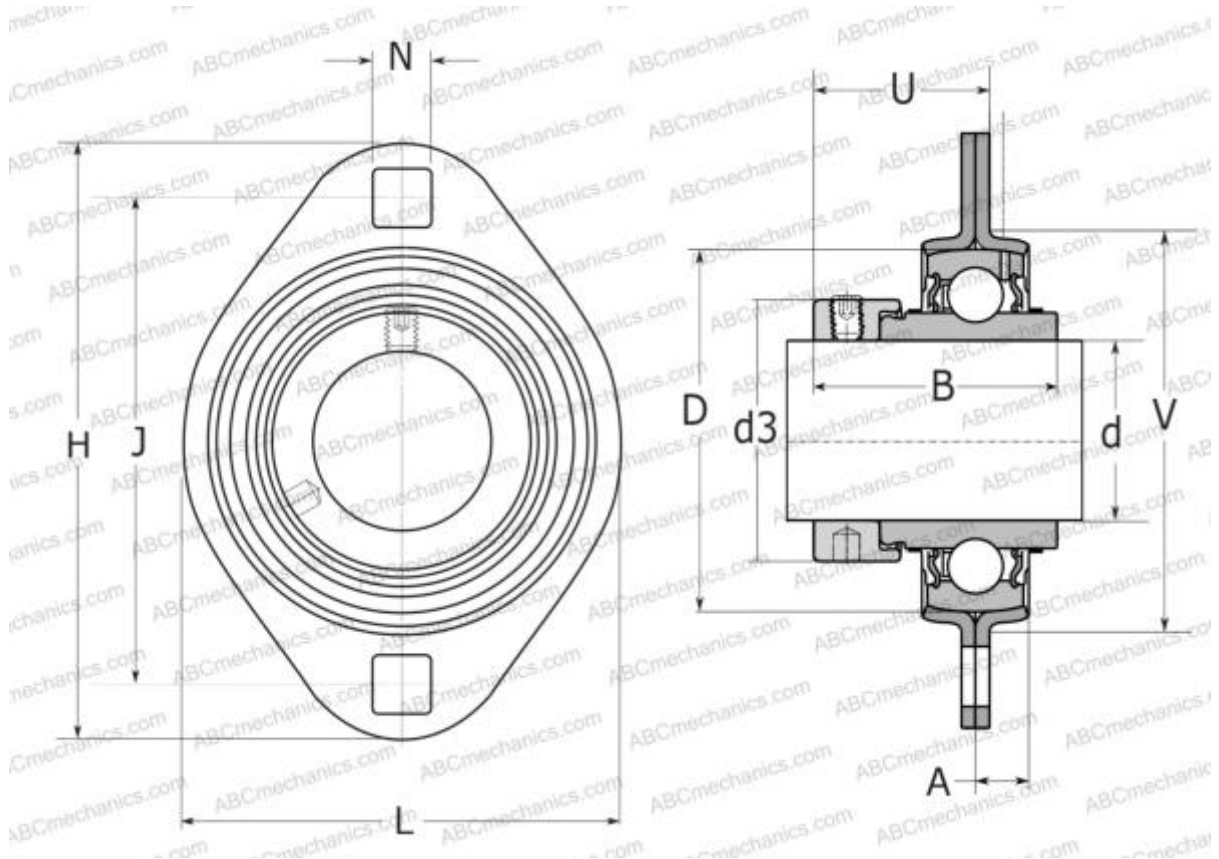


## PFT 30 WF SKF

Ball bearing units

TYPE: Housing units, Two-bolt flanged housing units, Sheet steel housing, Radial insert ball bearing with eccentric locking collar, Type PFT..WF (SKF)



### Technical specification

#### DIMENSIONS, MM

|    |         |
|----|---------|
| d  | 30,000  |
| D  | 62,000  |
| B  | 48,400  |
| L  | 84,000  |
| H  | 112,000 |
| A  | 9,500   |
| J  | 90,500  |
| N  | 10,500  |
| d3 | 44,100  |
| U  | 32,600  |
| V  | 71,000  |

#### WEIGHT, KG

|         |            |
|---------|------------|
| Bearing | 0,520      |
|         | YEL 206-2F |

Housing

PFT 62

#### MANUFACTURER

[SKF](#)

#### CALCULATION DATA

|                              |           |
|------------------------------|-----------|
| Basic dynamic load rating, C | 19,500 kN |
| Basic static load rating, Co | 11,200 kN |
| Fatigue load limit, Pu       | 0,475 kN  |