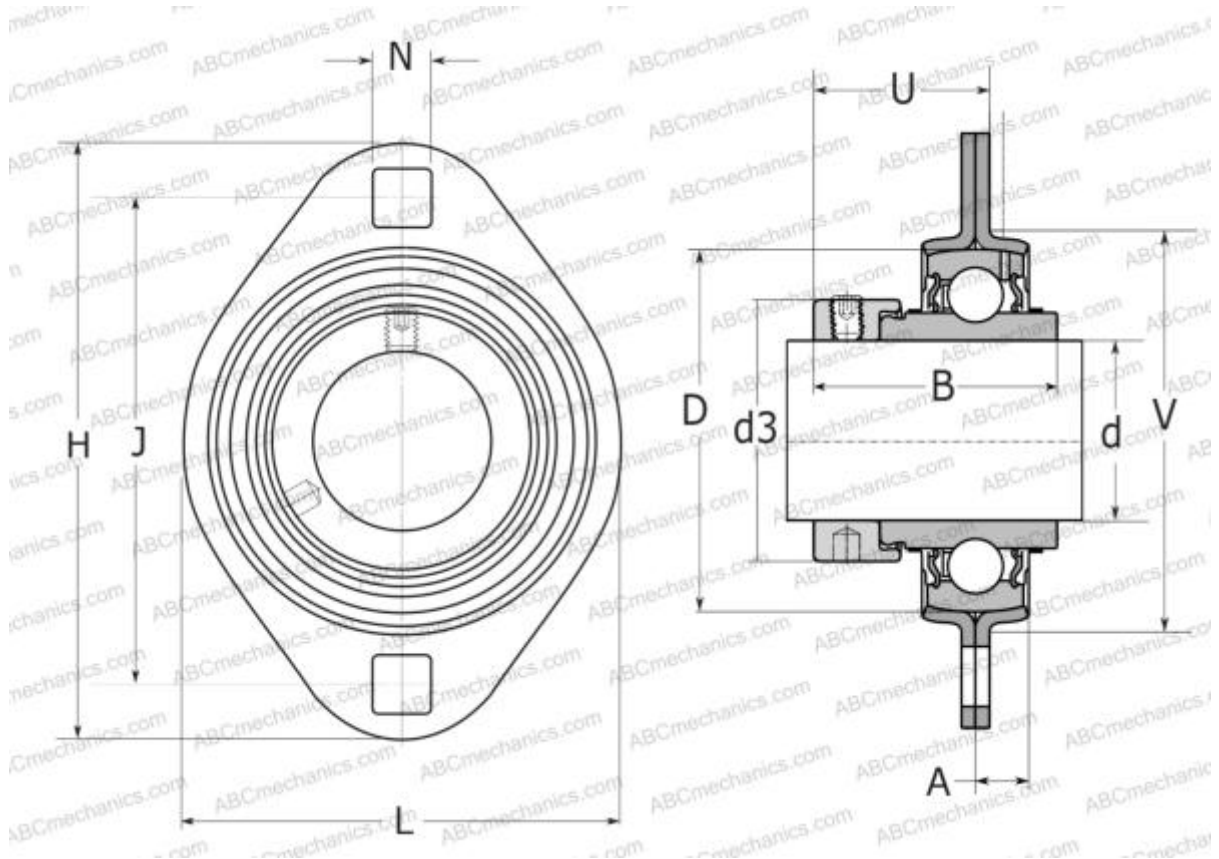


PFT 40 WF SKF

Ball bearing units

TYPE: Housing units, Two-bolt flanged housing units, Sheet steel housing, Radial insert ball bearing with eccentric locking collar, Type PFT..WF (SKF)



Technical specification

DIMENSIONS, MM

d	40,000
D	80,000
B	56,300
L	104,000
H	148,000
A	10,000
J	119,000
N	13,500
d3	56,500
U	38,400
V	91,000

WEIGHT, KG

Bearing

YEL 208-2F

Housing

PFT 80

MANUFACTURER

[SKF](#)

CALCULATION DATA

Basic dynamic load rating, C	30,700 kN
Basic static load rating, Co	19,000 kN
Fatigue load limit, Pu	0,800 kN