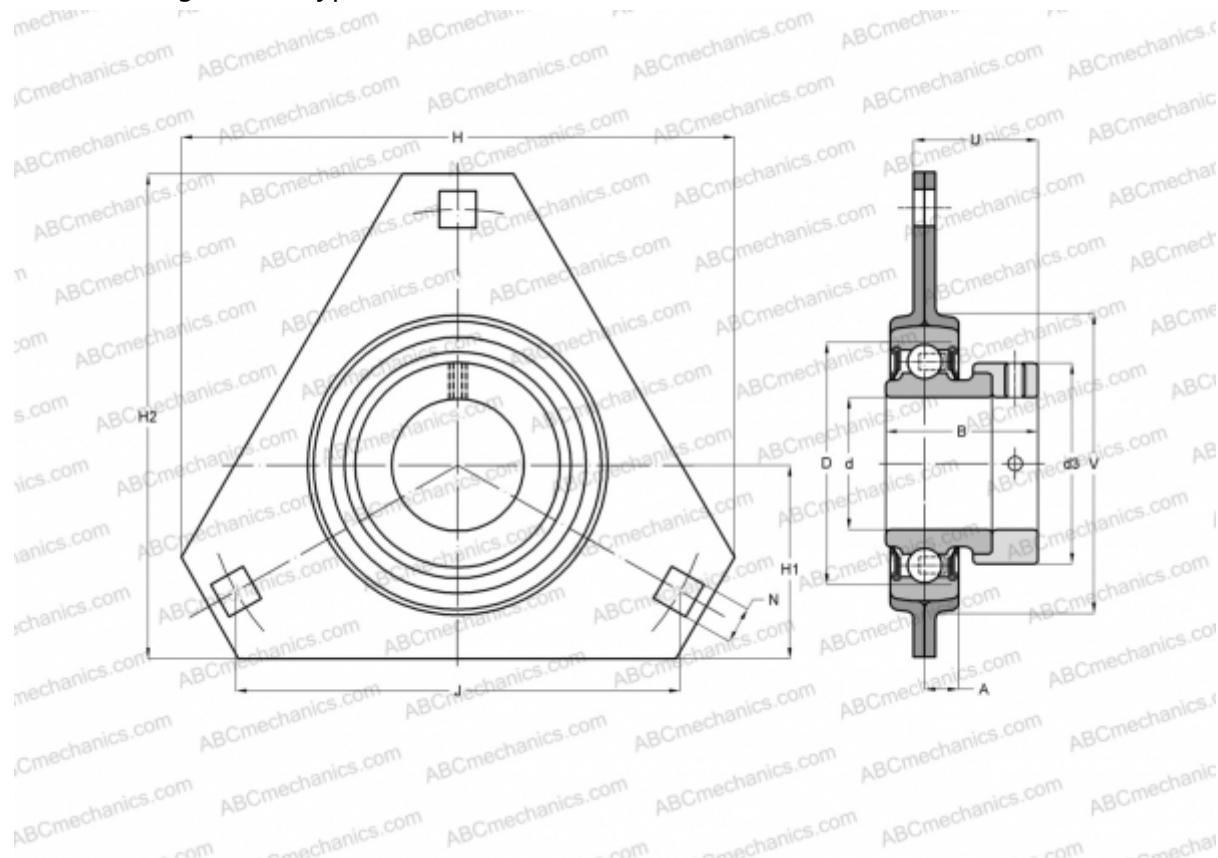


## PFD 17 FM SKF

Ball bearing units

TYPE: Housing units, Three-bolt flanged housing units, Sheet steel housing, Radial insert ball bearing with eccentric locking collar, Type PFD..FM (SKF)



### Technical specification

#### DIMENSIONS, MM

d	17,000
D	40,000
B	28,600
H	81,000
A	7,000
J	63,000
H1	29,000
N	7,100
d3	27,200
U	24,100
V	49,000

#### WEIGHT, KG

Bearing 0,200

YET 203

Housing

PFD 40

#### MANUFACTURER

[SKF](#)

#### CALCULATION DATA

Basic dynamic load rating, C	9,560 kN
Basic static load rating, Co	4,750 kN
Fatigue load limit, Pu	0,200 kN