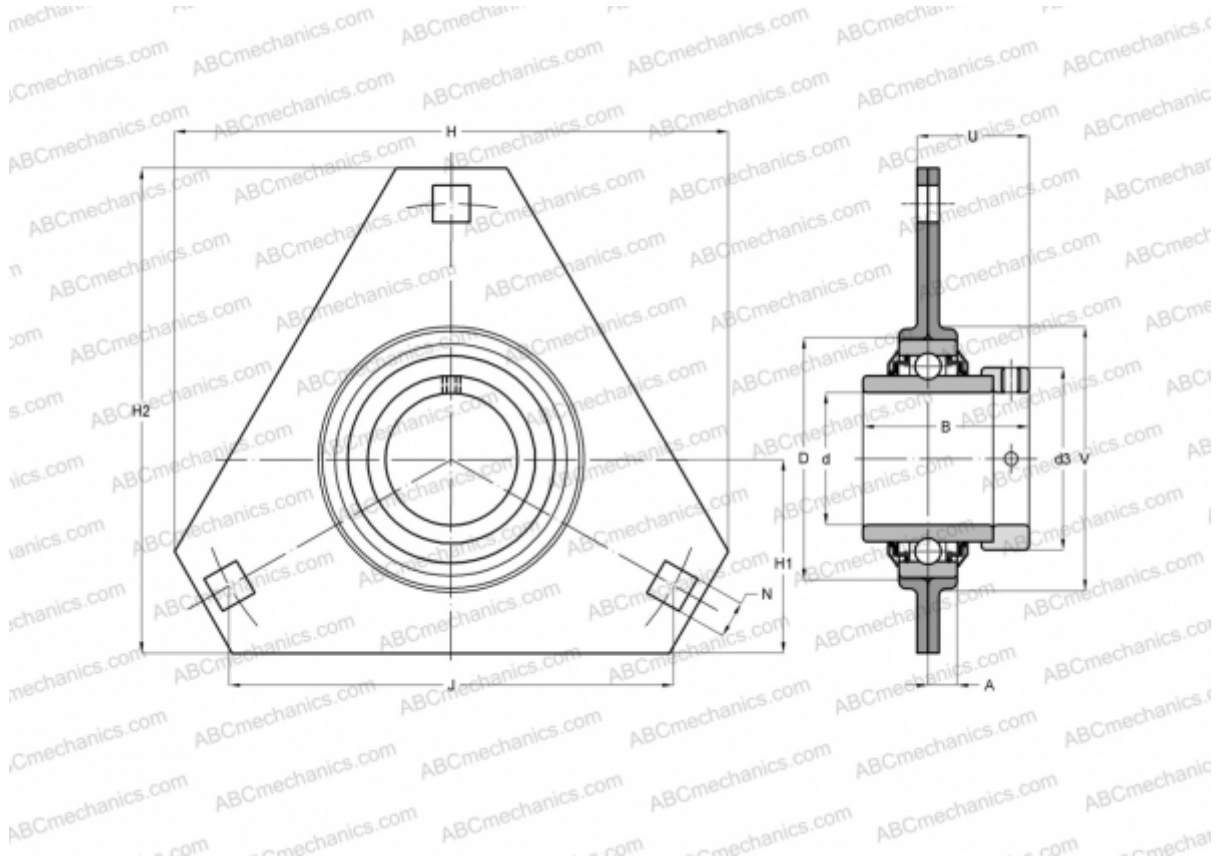


PFD 25 WF SKF

Ball bearing units

TYPE: Housing units, Three-bolt flanged housing units, Sheet steel housing, Radial insert ball bearing with eccentric locking collar, Type PFD..WF (SKF)



Technical specification

DIMENSIONS, MM

| | |
|----|--------|
| d | 25,000 |
| D | 52,000 |
| B | 44,400 |
| H | 95,000 |
| A | 9,000 |
| J | 76,000 |
| H1 | 34,000 |
| N | 8,700 |
| d3 | 37,400 |
| U | 28,900 |
| V | 60,000 |

WEIGHT, KG 0,350

Bearing YEL 205-2F

Housing

PFD 52

MANUFACTURER

[SKF](#)

CALCULATION DATA

| | |
|------------------------------|-----------|
| Basic dynamic load rating, C | 14,000 kN |
| Basic static load rating, Co | 7,800 kN |
| Fatigue load limit, Pu | 0,335 kN |